



**DATASHEET**  
Free-standing  
racks  
iSEVEN Ri7

**CONTEG**

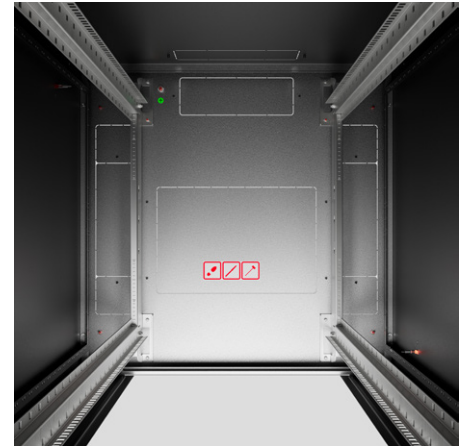
# FREE-STANDING RACKS

## iSEVEN Ri7



Ri7-42-80/80

➤ The **iSEVEN Ri7** rack has been designed to provide users with an unmatched ratio between price, utility value and quality. Ideal for installers and end-users who want to spend less time choosing between various options.



### MAIN ADVANTAGES

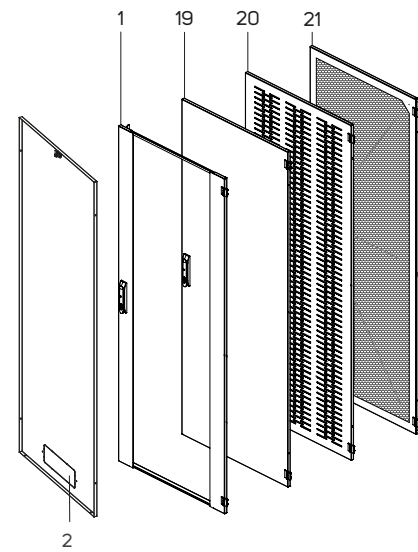
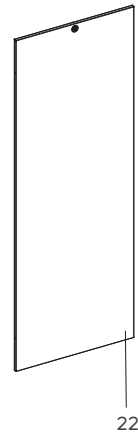
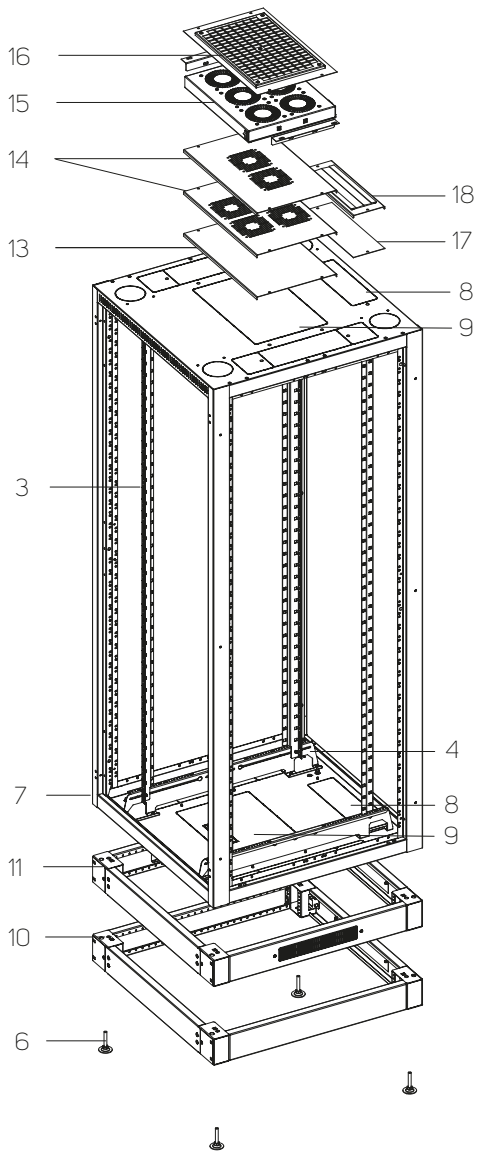
- Universal rack for standard daily IT use
- Available in 36 dimensions
- Pre-configured rack, with many other options

COLOR:  RAL 9005  RAL 7035

## DESCRIPTION

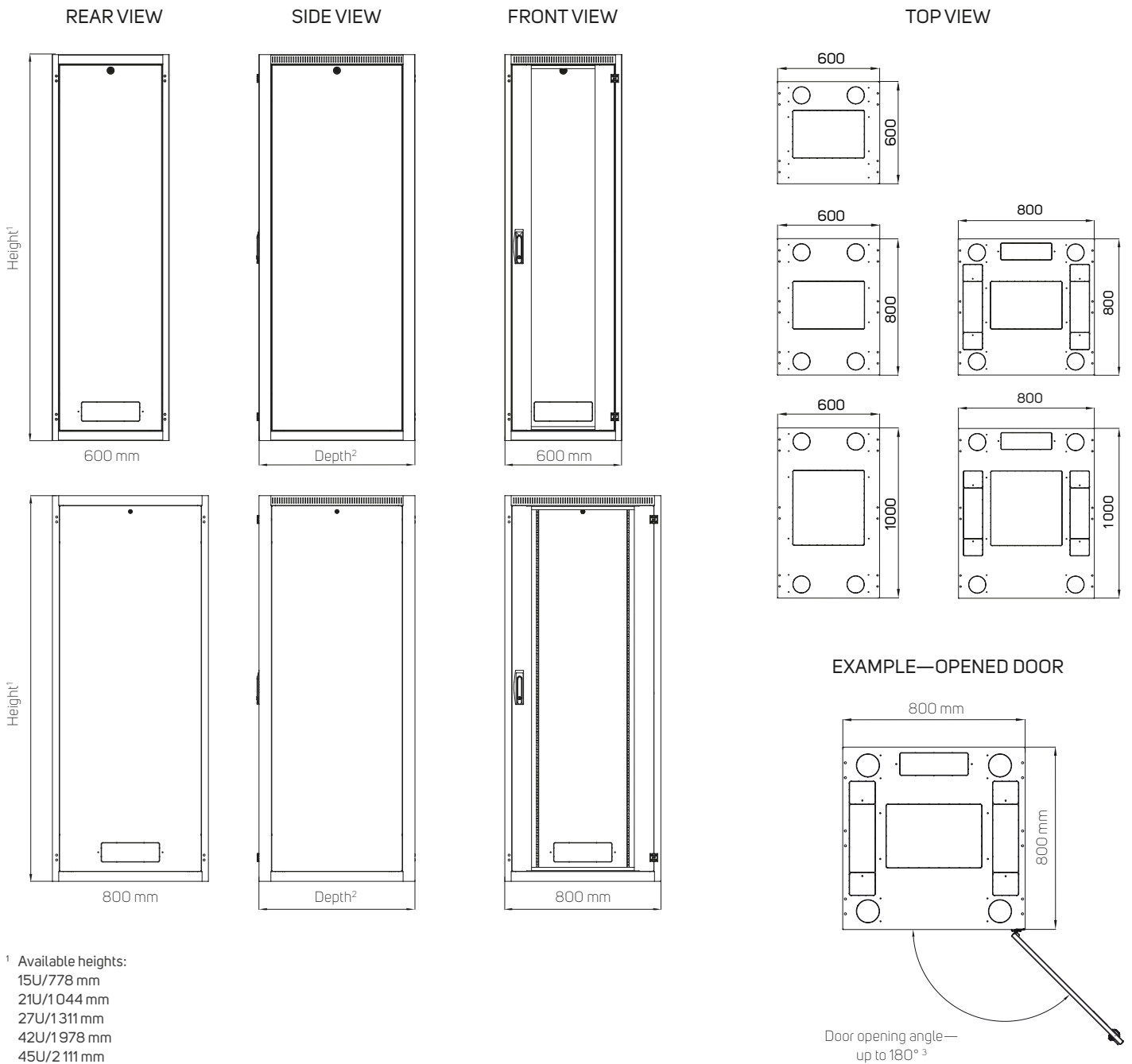
- Sizes**
- Height: 15, 21, 27, 42, 45, 48U
  - Width: 600, 800 mm
  - Depth: 600, 800, 1000 mm; 1200 mm (for 42, 45, 48U)
- Construction**
- Welded-frame design
- Load rating**
- 800 kg
- 19" Vertical extrusions**
- 2 pairs of sliding 19" extrusions, adjustable from inside
- IP rating**
- Standard IP30
- Colors**
- Standard RAL 7035 and 9005
- Front door**
- Security glass door with swivel handle lock—DIN profile, universal key 333
  - Optional: sheet steel door, perforated door, single or vertically divided door with perforation rate of 86 %
  - Easy re-hanging to open on right or left
  - Door opening angle 180°
- Rear panel**
- Removable, with knock-out cable entry and lock
  - Optional: sheet steel door, perforated door, single or vertically divided door with perforation rate of 86 %
- Side panels**
- Removable, with locks
- Knock-out openings—cable entry**
- Universal size 300×100 mm—rear side of top and bottom plate and rear panel
  - Universal openings can be covered by blank panels (ordered separately)
  - Extended size 500×115 mm—both sides of top and bottom plate. Consists of 3 parts—300×115 mm and 2×—100×115 mm, each of which can be opened individually.
  - Extended opening can be covered by blank panel or standard cable brush—middle opening. Opening can be protected by rubber edge piece (DP-KP-LEM-6) or brushes (DP-KP-KAR-6).
  - 4" (100 mm) rounded cable entry in every top corner
- Knock-out openings—ventilation unit installation**
- Standard size 480×280 mm (1000 mm deep—480×440 mm)
  - Available in top and bottom plate
  - Can be covered with blank panels (ordered separately)
- Adjustable Feet**
- Other**
- OptiWay system support—12× M6 nuts on the upper frame

# iSEVEN Ri7 racks



STANDARD CONFIGURATION (short code only)		OPTIONS	
1	Glass door	10	Plinth
2	Rear panel with knock-out cable entry	11	Plinth with filter
3	4 pcs of 19" vertical extrusions	13	Blank panel
4	Holders for vertical extrusions	14	Blank panels for ventilation unit openings
6	Adjustable feet	15	Ventilation unit
7	Frame of rack	16	Connecting kit with filter for ventilation unit
8	Top and bottom knock-out openings for cable entry	17	Blank panel for cable entry openings
9	Top and bottom knock-out openings for ventilation unit	18	Dust-proof panel with brush for cable entry openings
22	Side panel	19	Sheet steel door
•	GND/earthing kit	20	Perforated sheet steel door
•	28 mounting kits	21	Vented door—perforation 86 %

# iSEVEN Ri7 racks—technical drawing



<sup>1</sup> Available heights:

- 15U/778 mm
- 21U/1 044 mm
- 27U/1 311 mm
- 42U/1 978 mm
- 45U/2 111 mm
- 48U/2 245 mm

<sup>2</sup> Available depths:

- for width 600 mm: 600, 800, 1000 mm; 1200 mm for 42, 45, 48U
- for width 800 mm: 800, 1000 mm; 1200 mm for 42, 45, 48U

<sup>3</sup> When rear doors applied (rear panel standard), max. angle 180 degrees

## Ventilation unit openings

420 × 280 mm (depth of the rack—600, 800 mm)

420 × 440 mm (depth of the rack—1 000 mm)

2 × 420 × 280 mm (depth of the rack—1 200 mm)

## Cable entries

300 × 100 mm 1× on top and bottom—rear

500 × 115 mm 2× on top and bottom—side for width 800 mm

100 mm (4") 4× on top—every corner, round cable entry

## iSEVEN Ri7 racks—technical data and dimensions

Code	H (in U)	Load rating (kg)	Dimensions (mm)				Dimensions including packing (mm)			Gross weight (kg)
			H*	W	D	Useful depth	H	W	D	
Ri7-15-60/60	15	800	778	600	600	590	913	640	640	43
Ri7-21-60/60	21	800	1045	600	600	590	1179	640	640	52
Ri7-27-60/60	27	800	1311	600	600	590	1446	640	640	61
Ri7-42-60/60	42	800	1978	600	600	590	2113	640	640	83
Ri7-45-60/60	45	800	2111	600	600	590	2246	640	640	88
Ri7-48-60/60	48	800	2245	600	600	590	2380	640	640	95
Ri7-15-60/80	15	800	778	600	800	790	913	640	840	54
Ri7-21-60/80	21	800	1045	600	800	790	1179	640	840	61
Ri7-27-60/80	27	800	1311	600	800	790	1446	640	840	70
Ri7-42-60/80	42	800	1978	600	800	790	2113	640	840	94
Ri7-45-60/80	45	800	2111	600	800	790	2246	640	840	100
Ri7-48-60/80	48	800	2245	600	800	790	2380	640	840	106
Ri7-15-60/100	15	800	778	600	1000	990	913	640	1040	65
Ri7-21-60/100	21	800	1045	600	1000	990	1179	640	1040	70
Ri7-27-60/100	27	800	1311	600	1000	990	1446	640	1040	77
Ri7-42-60/100	42	800	1978	600	1000	990	2113	640	1040	108
Ri7-45-60/100	45	800	2111	600	1000	990	2246	640	1040	115
Ri7-48-60/100	48	800	2245	600	1000	990	2380	640	1040	120
Ri7-42-60/120	42	800	1978	600	1200	1190	2113	640	1240	116
Ri7-45-60/120	45	800	2111	600	1200	1190	2246	640	1240	123
Ri7-48-60/120	48	800	2245	600	1200	1190	2380	640	1240	128
Ri7-15-80/80	15	800	778	800	800	790	913	840	840	65
Ri7-21-80/80	21	800	1045	800	800	790	1179	840	840	73
Ri7-27-80/80	27	800	1311	800	800	790	1446	840	840	84
Ri7-42-80/80	42	800	1978	800	800	790	2113	840	840	116
Ri7-45-80/80	45	800	2111	800	800	790	2246	840	840	120
Ri7-48-80/80	48	800	2245	800	800	790	2380	840	840	124
Ri7-15-80/100	15	800	1311	800	1000	990	913	840	1040	74
Ri7-21-80/100	21	800	1045	800	1000	990	1179	840	1040	82
Ri7-27-80/100	27	800	1311	800	1000	990	1446	840	1040	90
Ri7-42-80/100	42	800	1978	800	1000	990	2113	840	1040	125
Ri7-45-80/100	45	800	2111	800	1000	990	2246	840	1040	130
Ri7-48-80/100	48	800	2245	800	1000	990	2380	840	1040	139
Ri7-42-80/120	42	800	1978	800	1200	1190	2113	840	1240	143
Ri7-45-80/120	45	800	2111	800	1200	1190	2246	840	1240	149
Ri7-48-80/120	48	800	2245	800	1200	1190	2380	840	1240	157

\* Height in mm without feet; for feet add 16-45 mm.

# iSEVEN Ri7 racks—ordering and shipping information

Configure the rack that meets your requirements. The ordering matrix below will help you create a Code. As soon as you have the Code, please contact your CONTEG products distributor. Please note that **all iSEVEN Ri7 racks are delivered fully assembled** and palletized!

## FOLLOW THE STEPS TO SET UP THE DESIRED Ri7 RACK CODE

**R I 7 - 1 - 2 / 3. 4. - 5. 6. 7. 8. 9. - 10. 11. 12. - 13.**

An example of a correct Code:

**R I 7 - 45 - 60 / 6 0 - G V S V A - 3 0 4 - H**

1. HEIGHT			2. WIDTH		3. DEPTH			4. EXTRUSIONS			
Code	Height (in U)	External height (mm)	Code	Width (mm)	Code	Depth (mm)	Useful depth (mm)	Code	Front pair	Rear pair	Note
15	15	778	60	600	6	600	590	0	L	L	L-type undivided extrusions
21	21	1045	80	800	8	800	790				
27	27	1311			10	1000	990				
42	42	1978			12	1200	1190				
45	45	2111									
48	48	2245									

5. FRONT DOOR		6. FRONT DOOR LOCK		7. REAR DOOR/PANEL		8. REAR DOOR/PANEL LOCK	
Code	Note	Code	Note	Code	Note	Code	Options
O	Without door	V	Swivel handle DIN profile, universal key, 333	O	Without panel/door	V	Swivel handle DIN profile, universal key 333
G	Glass door	W	Swivel handle DIN profile, universal key 333, multi-point <sup>1</sup>	G	Glass door	W	Swivel handle DIN profile, universal key 333, multi-point <sup>1</sup>
S	Sheet steel door		Other	S	Sheet steel door	U	Lock for rear panel, universal key
P	Perforated sheet steel door <sup>1</sup>	<sup>1</sup> Only for door code F		P	Perforated sheet steel door <sup>1</sup>		Other
W	Vented door (perforation rate 86%) <sup>1</sup>			W	Vented door (perforation rate 86%) <sup>1</sup>	<sup>1</sup> Only for door code F	
F	Vertically divided door with perforation (perforation rate 86%) <sup>1,2</sup>			F	Vertically divided door with perforation (perforation rate 86%) <sup>1,2</sup>		
	Other			Y	Rear panel—single piece		
					Other		

<sup>1</sup> IP 20 max.  
<sup>2</sup> Multi-point lock only

9. SIDE PANELS (BOTH SIDES)*		10. IP RATING <sup>1</sup>		11. PLATES		12. LOAD RATING		
Code	Note	Code	Note	Code	Options	Code	Load rate (kg)	Note
O	No side panels	0	IP 00	O	Top & bottom plates—integral	3	800	For rack heights 15–27U
A	2 side panels, sheet steel, universal key	2	IP 20			4	800	For rack heights 42–48U
	Other	3	IP 30					

\* Open side/sides result in IP 00.      <sup>1</sup> According to EN 60 529.

13. COLOR	
Code	Note
B	RAL 7035 (light gray)
H	RAL 9005 (black)

**Configure IT rack on-line**

[www.conteg.com/configurators](http://www.conteg.com/configurators)



**CONTEG, spol. s r.o.**

Stetkova 1638/18

140 00 Prague 4

Czech Republic

Tel.: +420 565 300 358

[info@conteg.com](mailto:info@conteg.com)

[www.conteg.com](http://www.conteg.com)

**CONTEG**