



DATASHEET
Free-standing
racks
iSEVEN Flex RM7

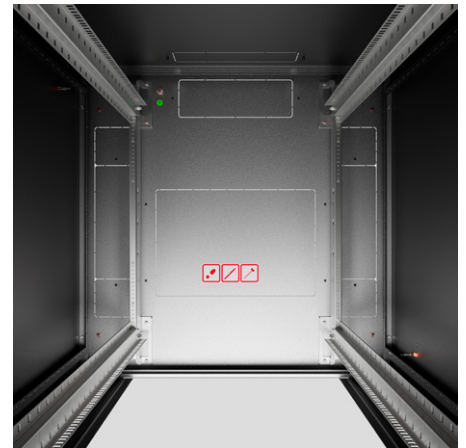
CONTEG

iSEVEN FLEX RM7




RM7-42-80/80-H

➤ The **iSEVEN Flex RM7** racks have been designed for users whose access path constraints do not allow for installation of the iSEVEN rack series (Ri7) with a welded design. iSEVEN Flex racks are delivered unassembled for easy transportation to the installation site, where they can be assembled quickly and easily.



MAIN ADVANTAGES

- Universal rack for standard daily use
- Unassembled version for transport to unaccessible spaces

COLOR:  RAL 9005  RAL 7035

DESCRIPTION

Sizes

- Height: 21, 27, 42, 45U
- Width: 600 and 800 mm
- Depth: 800 and 1000 mm

Construction

- Robust frame design, joined by 32 M6×12 screws
- Delivered unassembled; assembly at installation site
- Quick and easy assembly

Load rating

- 21, 27U: 400 kg
- 42, 45U: 800 kg

19" Vertical extrusions

- 2 pairs of sliding 19" extrusions, adjustable from inside

IP rating

- Standard IP30

Colors

- Standard RAL 7035 and 9005

Front door

- Security glass door with swivel handle lock—DIN profile, universal key 333
- Optional: sheet steel door, perforated door, single or vertically divided door with perforation rate of 86 %
- Easy re-hanging to open on right or left
- Door opening angle 180°

Rear panel

- Removable, with knock-out cable entry and lock
- Optional: sheet steel door, perforated door, single or vertically divided door with perforation rate of 86 %

Side panels

- Removable, with locks

Knock-out openings—cable entry

- Universal size 300×100 mm—rear side of top and bottom plate and rear panel
- Universal openings can be covered with blank panels (ordered separately)
- Extended size 500×115 mm—both sides of top and bottom plate. Consists of three parts—300×115 mm and 2×—100×115 mm, each of which can be opened individually.
- Extended opening can be covered with blank panel or standard cable brush—middle opening. Opening can be protected by rubber edge piece (DP-KP-LEM-6) or brushes (DP-KP-KAR-6).
- 4" (100 mm) rounded cable entry in every top corner

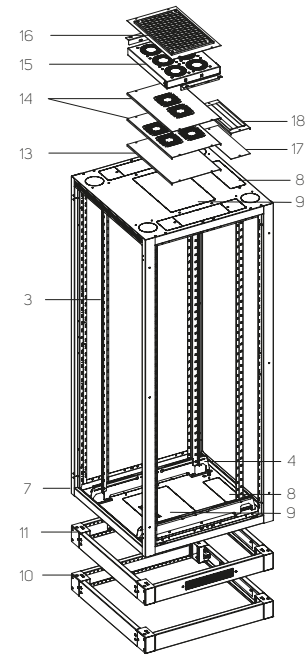
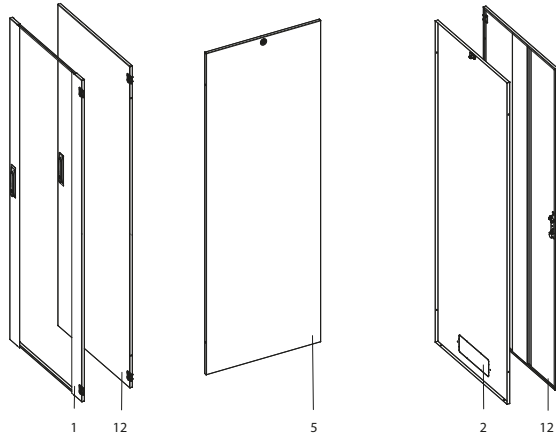
Knock-out openings—ventilation unit installation

- Standard size 480×280 mm (1000 mm deep—480×440 mm)
- Available in top and bottom plate
- Can be covered with blank panels (ordered separately)

Other

- OptiWay system support—12× M6 nuts on the upper frame

iSEVEN Flex RM7 racks



STANDARD CONFIGURATION		OPTIONS	
1	Front glass door with swivel handle lock	10	Plinth
2	Rear sheet steel panel with knock-out opening for cable entry and lock	11	Plinth with filter
3	4 pcs of 19" vertical extrusions	12	Sheet steel door
4	Holders for vertical extrusions	13	Blank panels for ventilation unit openings
5	1 pair of side sheet steel panels with lock	14	Perforated panels for ventilation unit
-		15	Ventilation unit
7	Rack frame	16	Connecting kit with filter for ventilation unit
8	Top and bottom knock-out openings for cable entry	17	Blank panel for cable entry openings
9	Top and bottom knock-out openings for ventilation unit	18	Dust-proof panel with brush for cable entry openings
-	GND/earthing kit		
-	28 mounting kits		

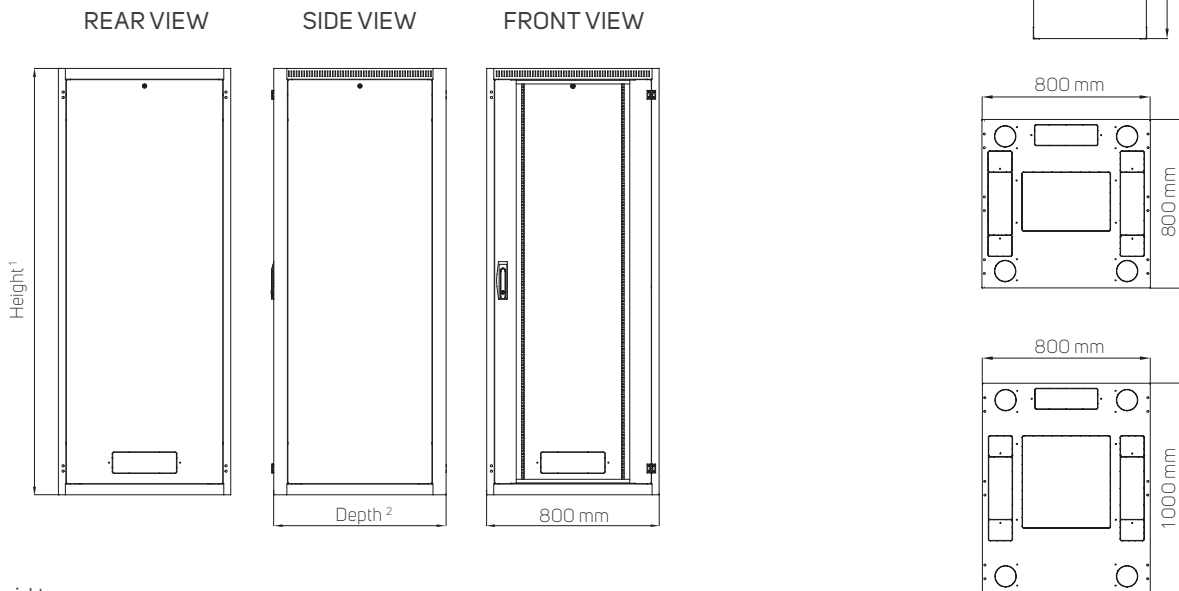
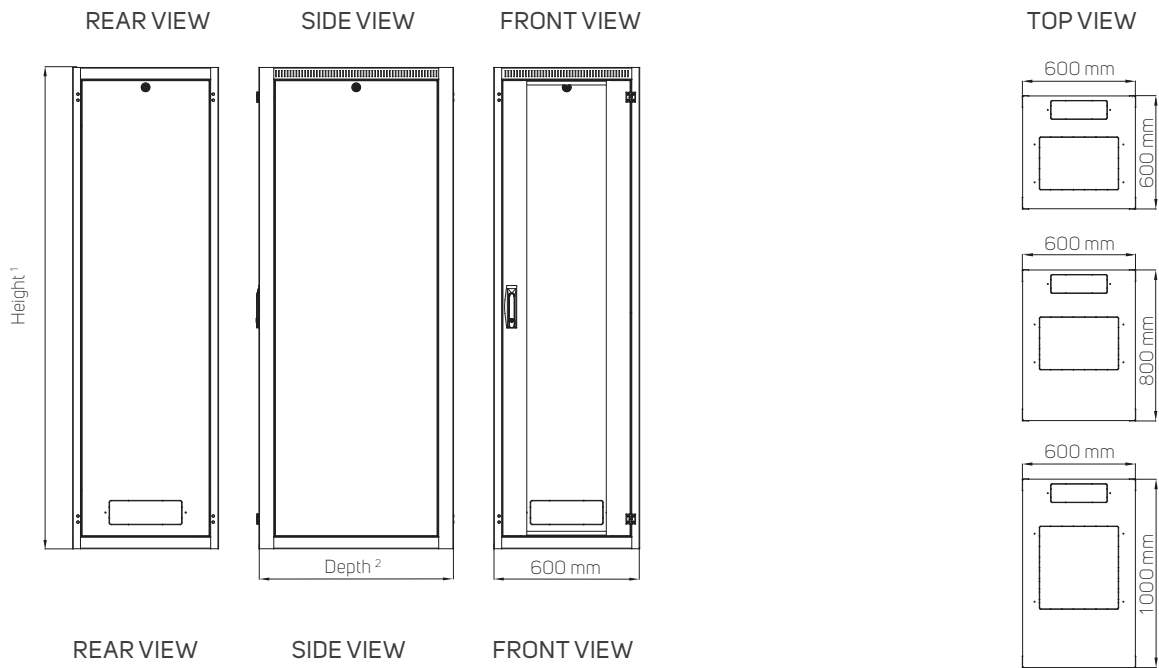
Technical data and dimensions

Code— Standard configuration ¹	H (in U)	Rack dimensions (mm)				Package dimensions (mm)				
		H *	W	D	Useful depth	Package 1 RM7-CO-xx/yy ²	Package 2 RM7-TB-yy/zz ²	Package 3 RM7-DO-xx/yy ²	Package 4 RM7-SP-xx/zz ²	Package 5 RM7-HVE-yy/zz ²
RM7-21-60/60-X	21	1044	600	600	590	105 × 140 × 1165	630 × 620 × 135	550 × 70 × 955	520 × 990 × 85	-
RM7-27-60/60-X	27	1311	600	600	590	105 × 140 × 1430	630 × 620 × 135	550 × 70 × 1255	520 × 1255 × 85	-
RM7-42-60/60-X	42	1978	600	600	590	105 × 140 × 2100	630 × 620 × 135	550 × 70 × 1890	520 × 1920 × 85	185 × 75 × 100
RM7-45-60/60-X	45	2111	600	600	590	105 × 140 × 2230	630 × 620 × 135	550 × 70 × 2020	520 × 2055 × 85	185 × 75 × 100
RM7-21-60/80-X	21	1044	600	800	790	105 × 140 × 1165	630 × 820 × 135	550 × 70 × 955	720 × 990 × 85	-
RM7-27-60/80-X	27	1311	600	800	790	105 × 140 × 1430	630 × 820 × 135	550 × 70 × 1255	720 × 1255 × 85	-
RM7-42-60/80-X	42	1978	600	800	590	105 × 140 × 2100	630 × 820 × 135	550 × 70 × 1890	720 × 1920 × 85	185 × 75 × 100
RM7-45-60/80-X	45	2111	600	800	790	105 × 140 × 2230	630 × 820 × 135	550 × 70 × 2020	720 × 2055 × 85	185 × 75 × 100
RM7-27-60/100-X	27	1311	600	1000	990	105 × 140 × 1430	630 × 1020 × 135	550 × 70 × 1255	920 × 1255 × 85	-
RM7-42-60/100-X	42	1978	600	1000	990	105 × 140 × 2100	630 × 1020 × 135	550 × 70 × 1890	920 × 1920 × 85	185 × 75 × 100
RM7-45-60/100-X	45	2111	600	1000	990	105 × 140 × 2230	630 × 1020 × 135	550 × 70 × 2020	920 × 2055 × 85	185 × 75 × 100
RM7-27-80/80-X	27	1311	800	800	790	105 × 140 × 1430	1005 × 820 × 135	750 × 70 × 1255	720 × 1255 × 85	-
RM7-42-80/80-X	42	1978	800	800	790	105 × 140 × 2100	1005 × 820 × 135	750 × 70 × 1890	720 × 1920 × 85	185 × 75 × 100
RM7-45-80/80-X	45	2111	800	800	790	105 × 140 × 2230	1005 × 820 × 135	750 × 70 × 2020	720 × 2055 × 85	185 × 75 × 100
RM7-27-80/100-X	27	1311	800	1000	990	105 × 140 × 1430	1005 × 1020 × 135	750 × 70 × 1255	720 × 1255 × 85	-
RM7-42-80/100-X	42	1978	800	1000	990	105 × 140 × 2100	1005 × 1020 × 135	750 × 70 × 1890	920 × 1920 × 85	185 × 75 × 100
RM7-45-80/100-X	45	2111	800	1000	990	105 × 140 × 2230	1005 × 1020 × 135	750 × 70 × 2020	920 × 2055 × 85	185 × 75 × 100

* Height in mm without feet; for feet add 16–45 mm.

¹ Substitute "X" with desired color: "H"—RAL 9005 (black) nebo "B"—RAL 7035 (light gray). ² xx—rack height; yy—rack width; zz—rack depth.

iSEVEN Flex RM7 racks—technical drawings



- ¹ Available heights:
 – for width 600 mm: 21U/1044 mm, 27U/1311 mm, 42U/1978 mm, 45U/2111 mm
 – for width 800 mm: 27U/1311 mm, 42U/1978 mm, 45U/2111 mm

- ² Available depths:
 – for width 600 mm: 600, 800, 1000 mm
 – for width 800 mm: 800, 1000 mm

- ³ When rear doors applied (rear panel standard) max. angle is 180°.

Ventilation unit openings

420 × 280 mm (depth 1000 mm—420 × 440 mm)

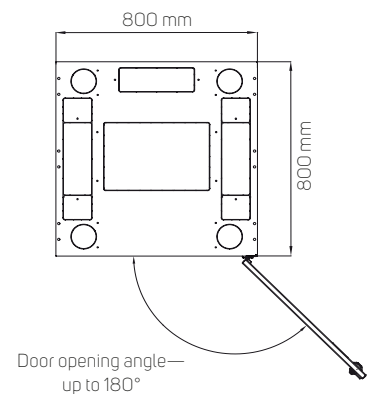
Cable entries

300 × 100 mm 1× on top and bottom—rear

500 × 115 mm 2× on top and bottom—side (for 800 mm width)

100 mm (4") 4× on top—every corner, round cable entry

EXAMPLE— OPENED DOOR



Door opening angle—
up to 180°

iSEVEN Flex RM7 racks—ordering and shipping information

Configure the rack that meets your requirements. You can choose a standard or modified configuration for your iSEVEN Flex RM7 rack. The ordering matrix below will help you create a Code. As soon as you have the Code, please contact your CONTEG products distributor. Please note that **all iSEVEN Flex RM7 racks are delivered unassembled in 3–4 carton boxes.**

Standard configuration ordering table

Code— standard configuration ¹	Column code	Top and bottom plate codes	Door code	Side panel code
RM7-21-60/60-X	RM7-CO-21/60-X	RM7-TB-60/60-X	RM7-DO-21/60-X	RM7-SP-21/60-X
RM7-27-60/60-X	RM7-CO-27/60-X	RM7-TB-60/60-X	RM7-DO-27/60-X	RM7-SP-27/60-X
RM7-42-60/60-X	RM7-CO-42/60-X	RM7-TB-60/60-X	RM7-DO-42/60-X	RM7-SP-42/60-X
RM7-45-60/60-X	RM7-CO-45/60-X	RM7-TB-60/60-X	RM7-DO-45/60-X	RM7-SP-45/60-X
RM7-21-60/80-X	RM7-CO-21/60-X	RM7-TB-60/80-X	RM7-DO-21/60-X	RM7-SP-21/80-X
RM7-27-60/80-X	RM7-CO-27/60-X	RM7-TB-60/80-X	RM7-DO-27/60-X	RM7-SP-27/80-X
RM7-42-60/80-X	RM7-CO-42/60-X	RM7-TB-60/80-X	RM7-DO-42/60-X	RM7-SP-42/80-X
RM7-45-60/80-X	RM7-CO-45/60-X	RM7-TB-60/80-X	RM7-DO-45/60-X	RM7-SP-45/80-X
RM7-27-60/100-X	RM7-CO-27/60-X	RM7-TB-60/100-X	RM7-DO-27/60-X	RM7-SP-27/100-X
RM7-42-60/100-X	RM7-CO-42/60-X	RM7-TB-60/100-X	RM7-DO-42/60-X	RM7-SP-42/100-X
RM7-45-60/100-X	RM7-CO-45/60-X	RM7-TB-60/100-X	RM7-DO-45/60-X	RM7-SP-45/100-X
RM7-27-80/80-X	RM7-CO-27/80-X	RM7-TB-80/80-X	RM7-DO-27/80-X	RM7-SP-27/80-X
RM7-42-80/80-X	RM7-CO-42/80-X	RM7-TB-80/80-X	RM7-DO-42/80-X	RM7-SP-42/80-X
RM7-45-80/80-X	RM7-CO-45/80-X	RM7-TB-80/80-X	RM7-DO-45/80-X	RM7-SP-45/80-X
RM7-27-80/100-X	RM7-CO-27/80-X	RM7-TB-80/100-X	RM7-DO-27/80-X	RM7-SP-27/100-X
RM7-42-80/100-X	RM7-CO-42/80-X	RM7-TB-80/100-X	RM7-DO-42/80-X	RM7-SP-42/100-X
RM7-45-80/100-X	RM7-CO-45/80-X	RM7-TB-80/100-X	RM7-DO-45/80-X	RM7-SP-45/100-X

¹Substitute "X" with desired color: "H"—RAL 9005 (black) nebo "B"—RAL 7035 (light gray).

Modified configuration ordering table

Cover (modifications from standard configuration are written in bold script)	Itemized iSEVEN Flex RM7 rack Codes			
	Package 1	Package 2	Package 3	Package 4
Front glass door, rear sheet steel door , 2 side panels	RM7-CO-xx/yy-X	RM7-TB-yy/zz-X	RM7-DO-xx/yy- GVSV -X	RM7-SP-xx/zz-X
Front sheet steel door , rear sheet steel panel, 2 side panels	RM7-CO-xx/yy-X	RM7-TB-yy/zz-X	RM7-DO-xx/yy- SVYU -X	RM7-SP-xx/zz-X
Front sheet steel door, rear sheet steel door , 2 side panels	RM7-CO-xx/yy-X	RM7-TB-yy/zz-X	RM7-DO-xx/yy- SVSV -X	RM7-SP-xx/zz-X
Front glass door, rear sheet steel panel, without side panels	RM7-CO-xx/yy-X	RM7-TB-yy/zz-X	RM7-DO-xx/yy-X	–
Front glass door, rear sheet steel door , without side panels	RM7-CO-xx/yy-X	RM7-TB-yy/zz-X	RM7-DO-xx/yy- GVSV -X	–
Front sheet steel door , rear sheet steel panel, without side panels	RM7-CO-xx/yy-X	RM7-TB-yy/zz-X	RM7-DO-xx/yy- SVYU -X	–
Front sheet steel door, rear sheet steel door , without side panels	RM7-CO-xx/yy-X	RM7-TB-yy/zz-X	RM7-DO-xx/yy- SVSV -X	–

Item overview of individual boxes

Code ¹	Package includes
RM7-CO-xx/yy	4× column and 4× 19" vertical extrusion
RM7-TB-yy/zz	Top and bottom cover plate, 4× bracket for vertical extrusions
RM7-DO-xx/yy	Front door and rear panel (package contents may differ for customized versions)
RM7-SP-xx/zz	2× side panels

¹ xx—rack height; yy—rack width; zz—rack depth.



CONTEG, spol. s r.o.

Stetkova 1638/18

140 00 Prague 4

Czech Republic

Tel.: +420 565 300 358

info@conteg.com

www.conteg.com

CONTEG