

RM7

NÁVOD K OBSLUZE A ÚDRŽBĚ

➤ CZ

MONTAGE- UND BETRIEBSANLEITUNG

➤ DE

ASSEMBLY AND OPERATING MANUAL

➤ EN

MANUEL D'ASSEMBLAGE ET D'UTILISATION

➤ FR

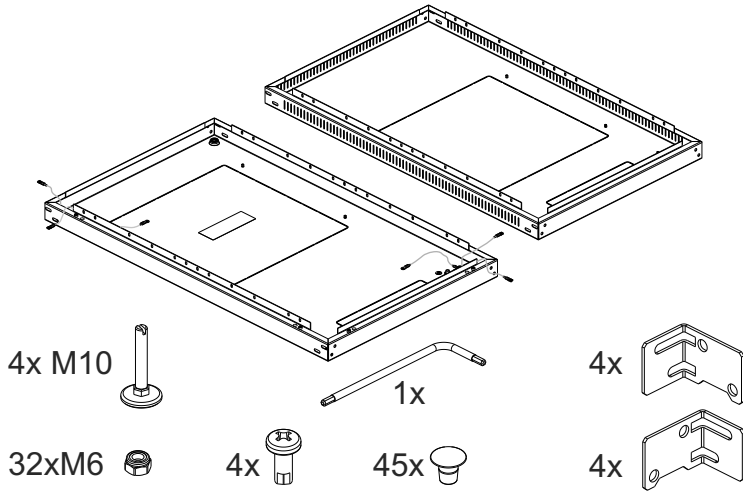
ИНСТРУКЦИЯ ПО СБОРКЕ И ЭКСПЛУАТАЦИИ

➤ RU

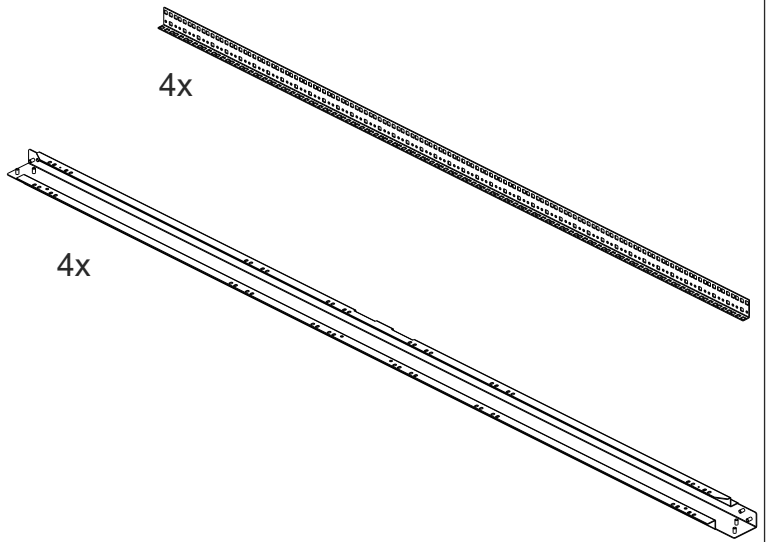
CONTEG

RM7

RM7-TB-yy/zz



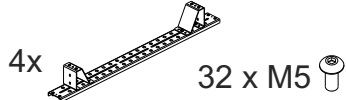
RM7-CO-xx/yy



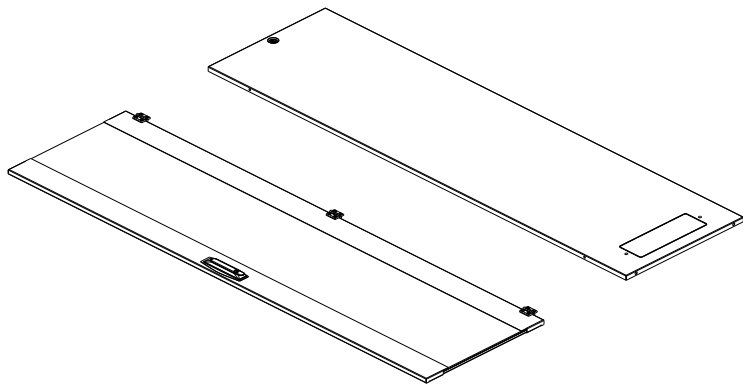
RM7-TB-60/zz



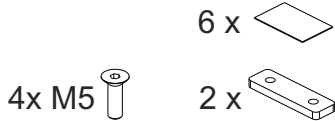
RM7-TB-80/zz



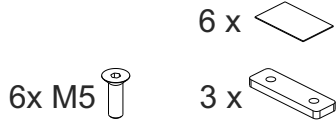
RM7-DO-xx/yy



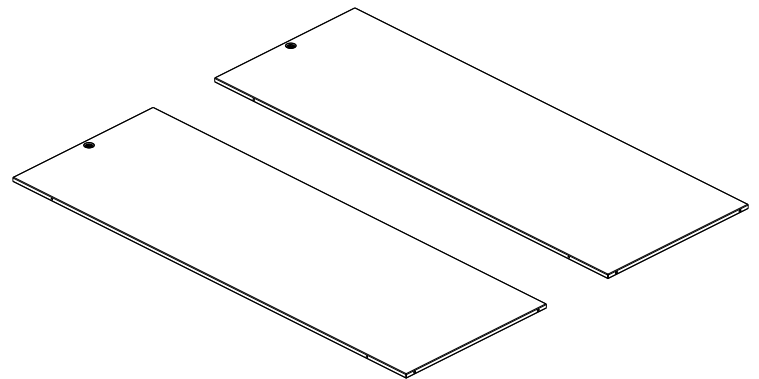
RM7-DO-xx/yy



RM7-DO-xx/yy

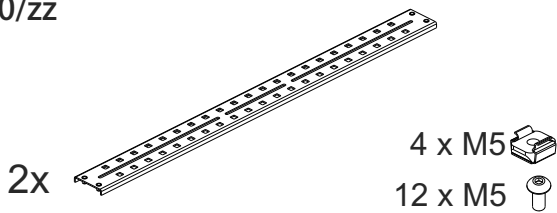


RM7-SP-xx/zz

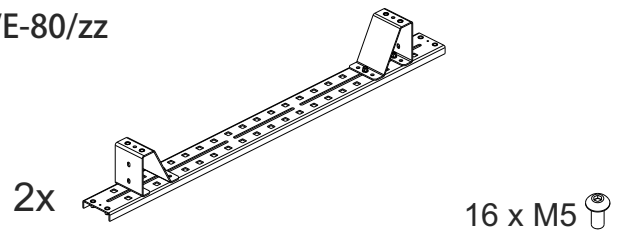


RM7-HVE-yy/zz

RM7-HVE-60/zz



RM7-HVE-80/zz



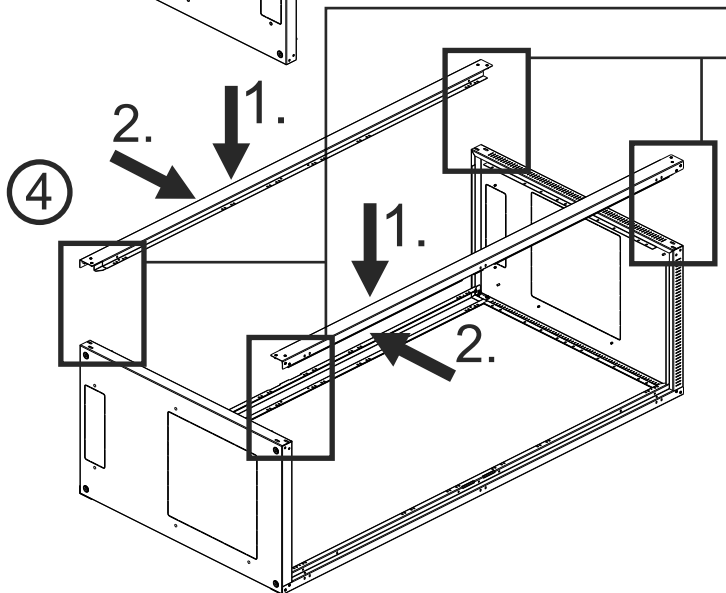
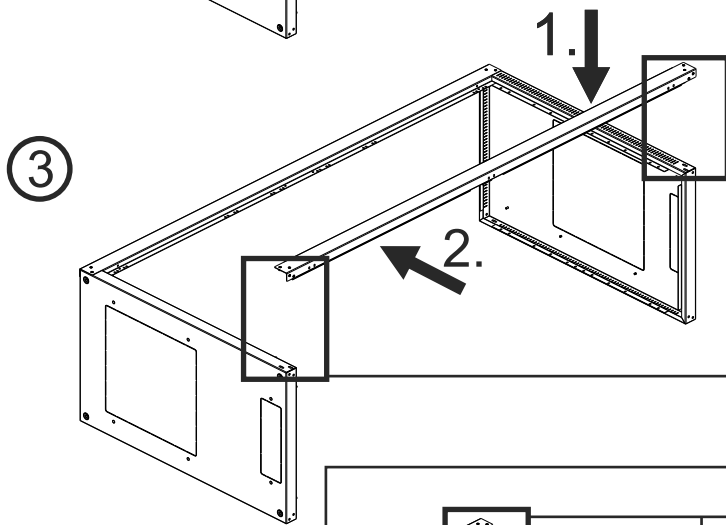
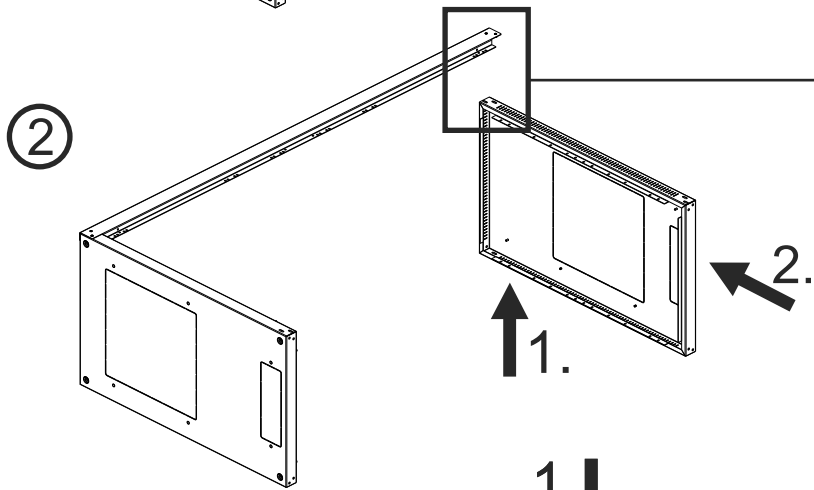
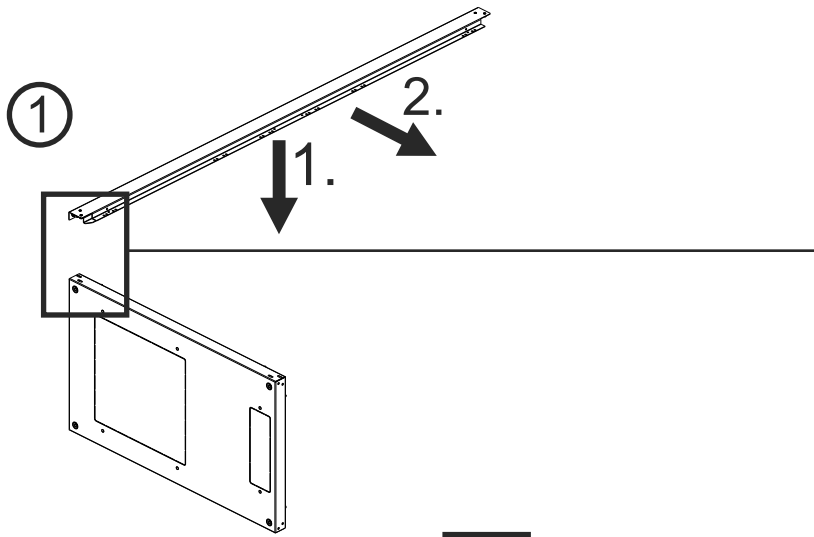
RM7-21-xx/yy
RM7-27-xx/yy

RM7-42-xx/yy
RM7-45-xx/yy

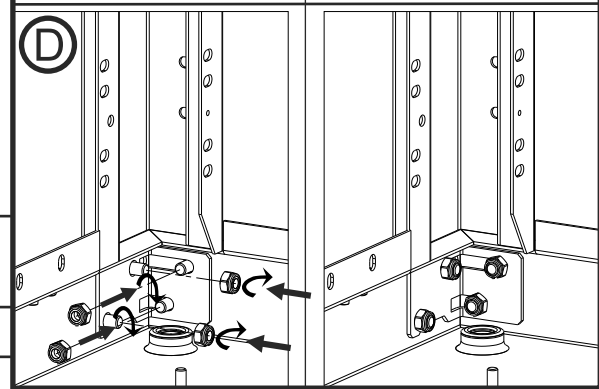
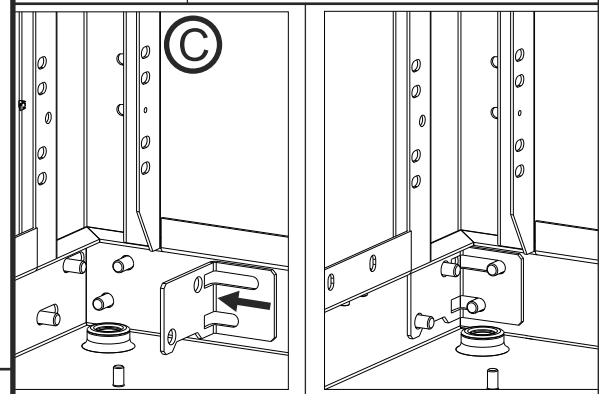
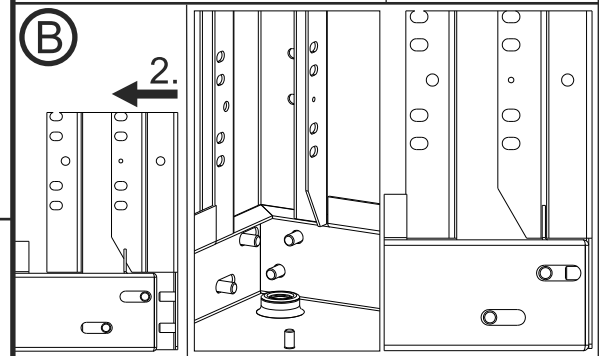
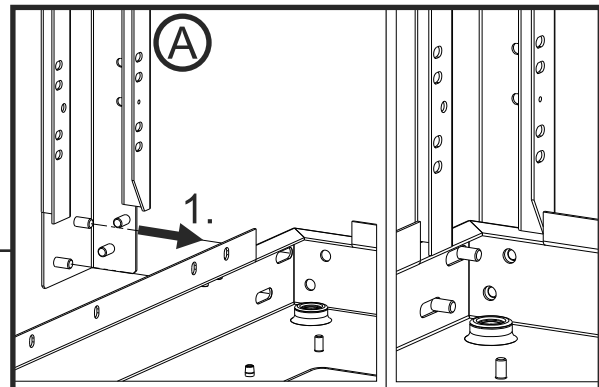
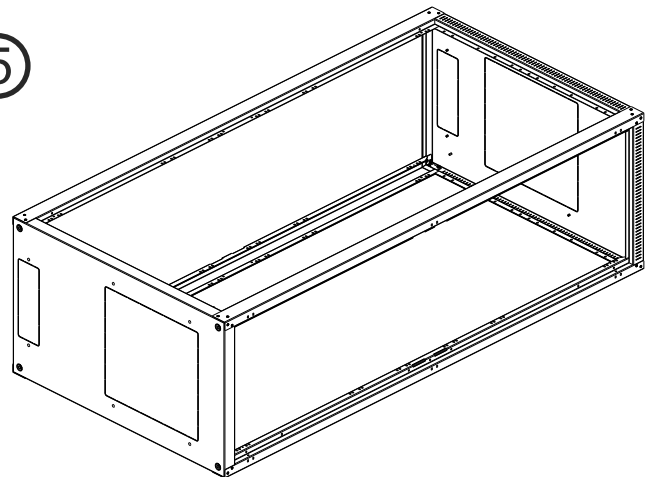
0 x RM7-HVE-yy/zz

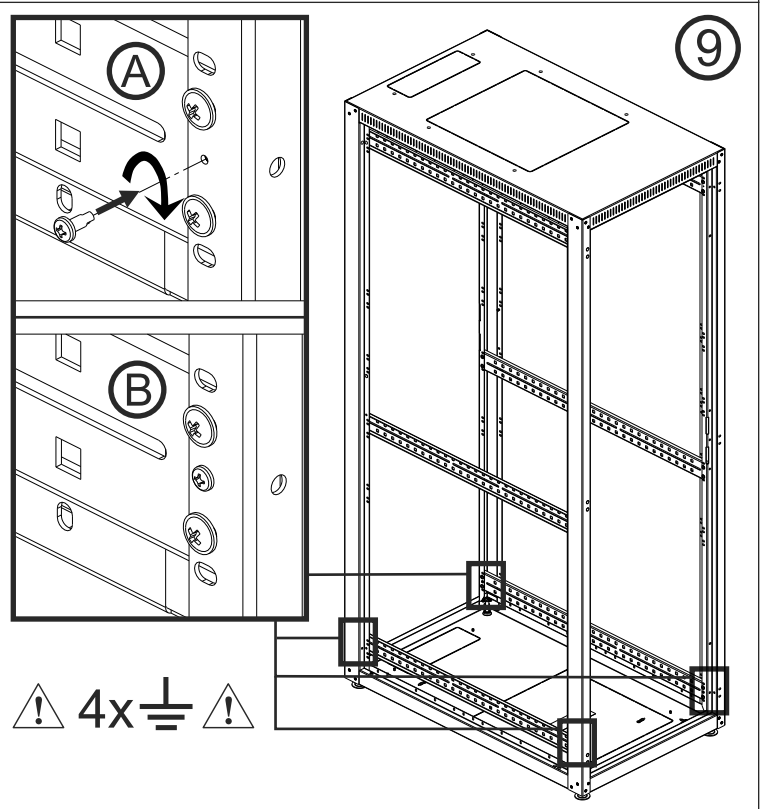
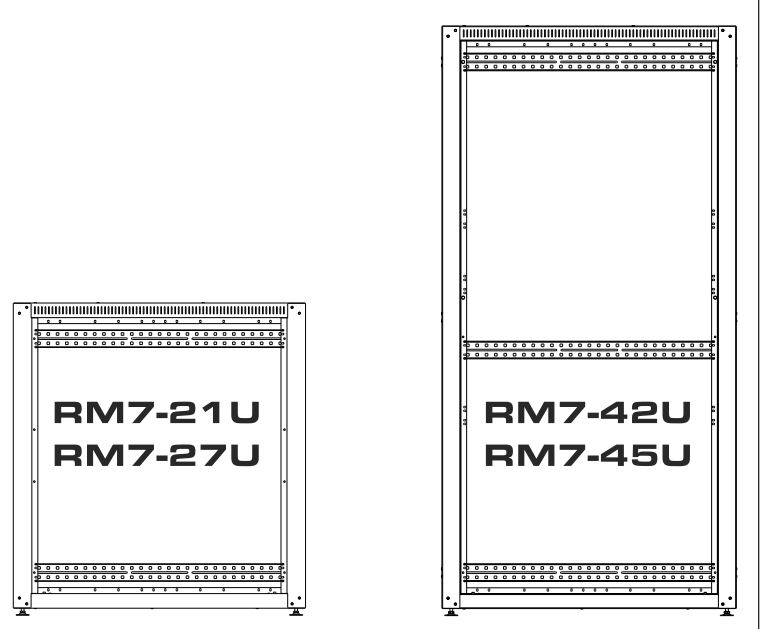
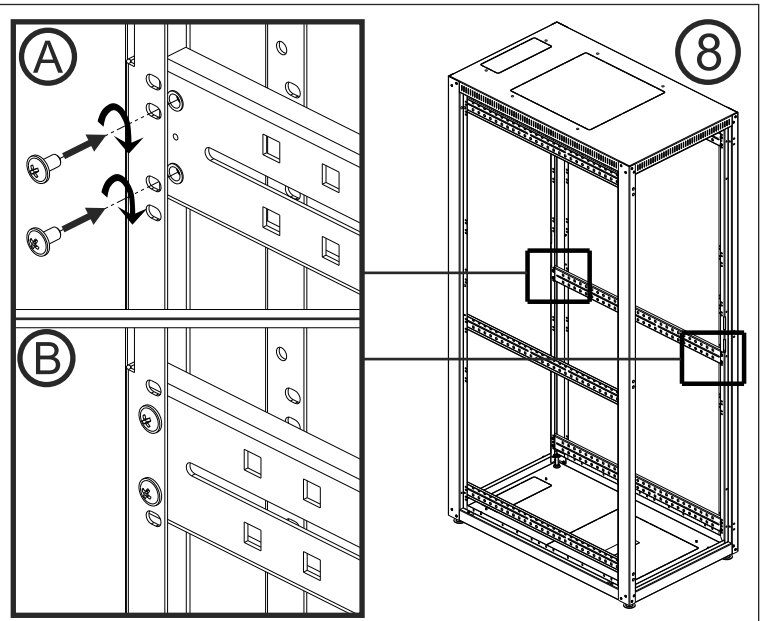
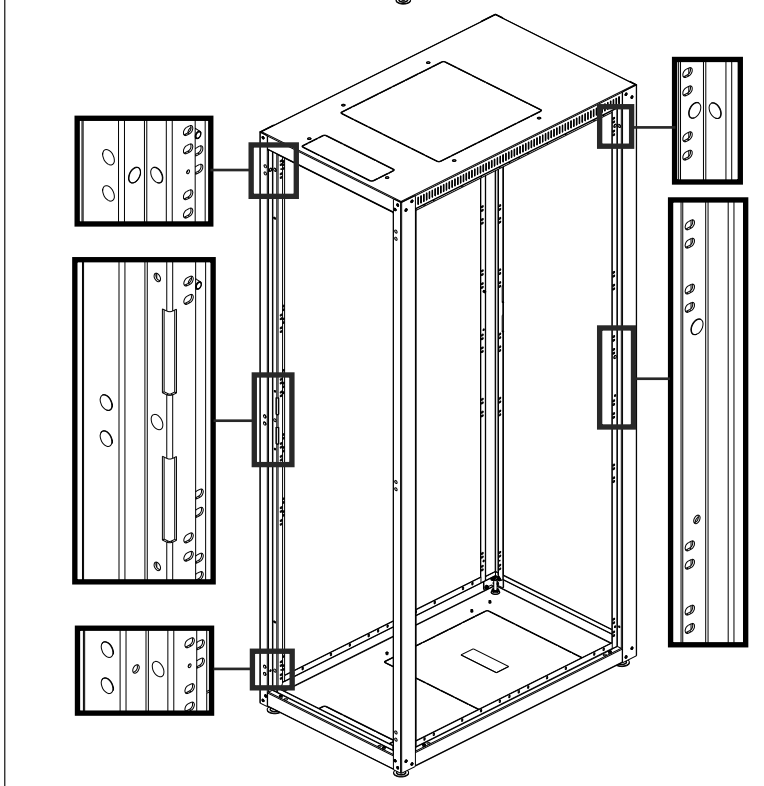
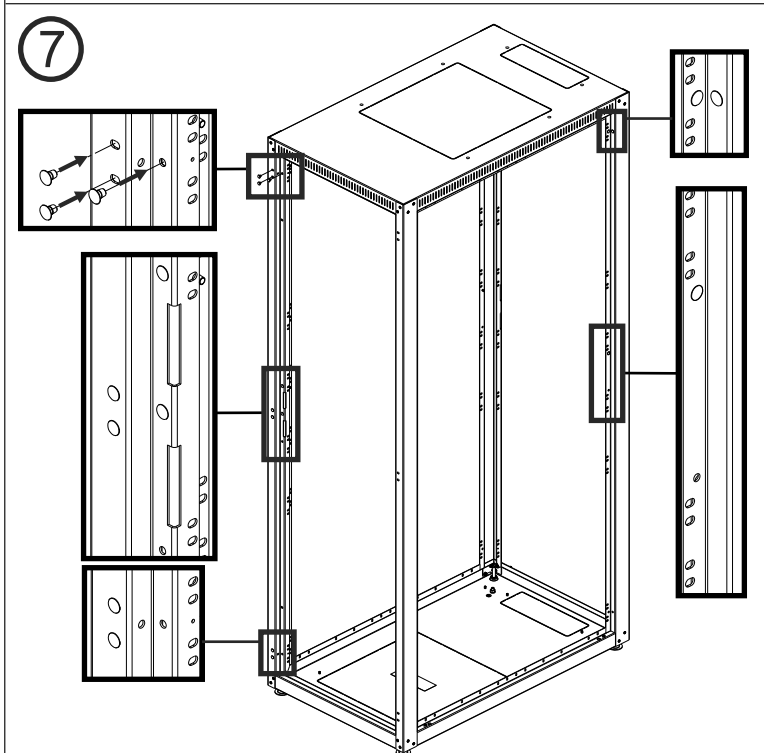
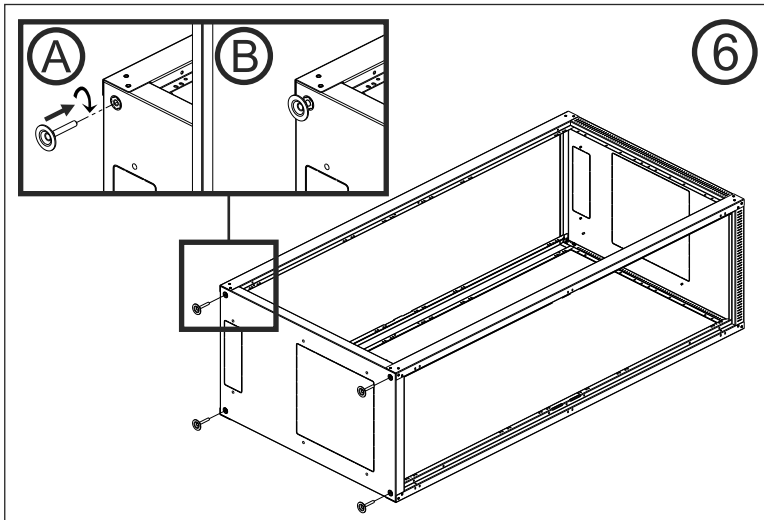
1 x RM7-HVE-yy/zz

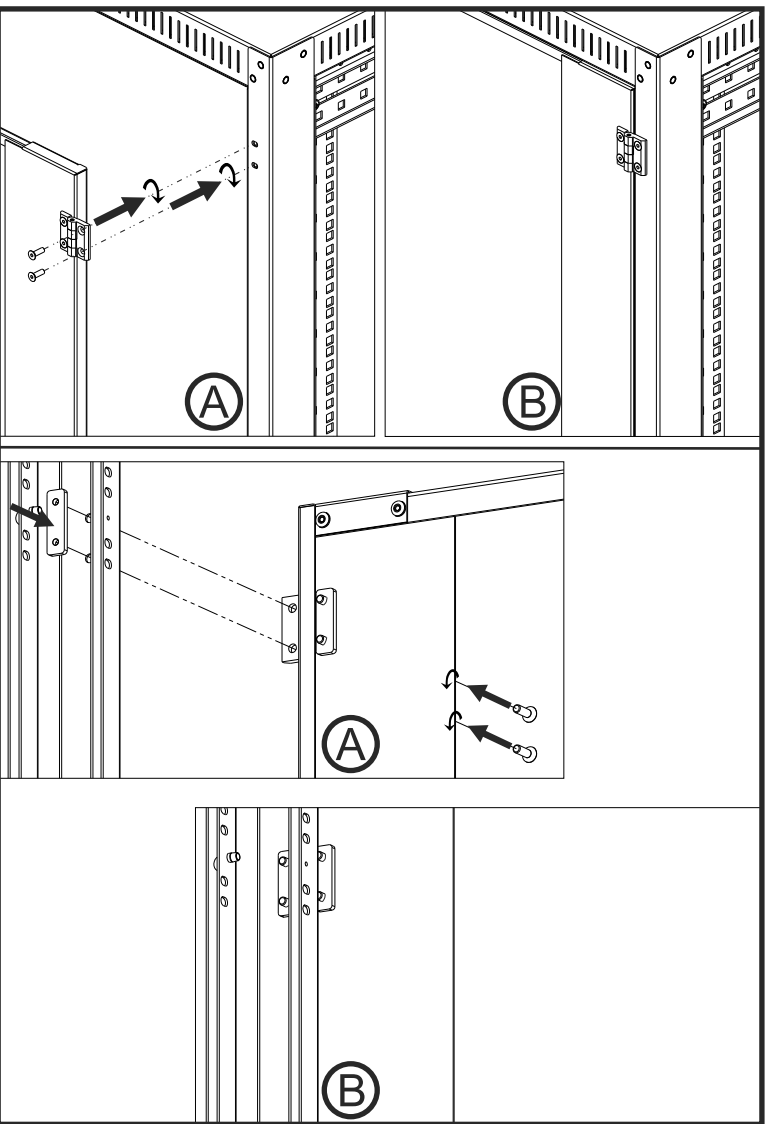
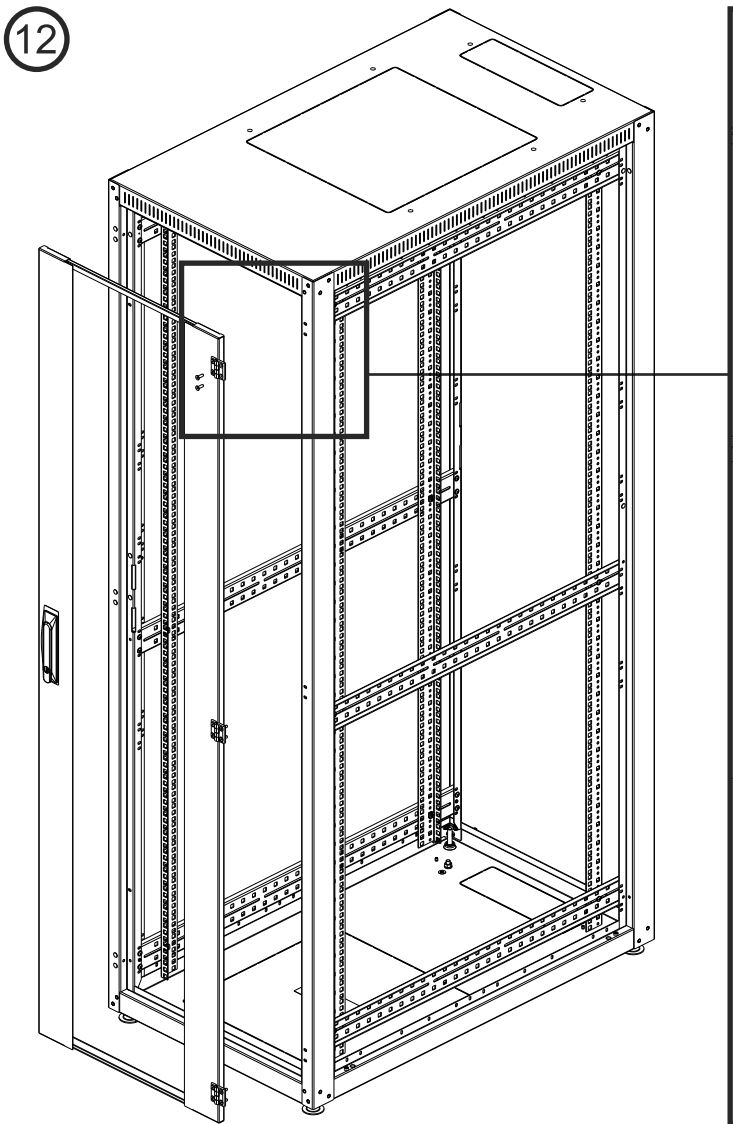
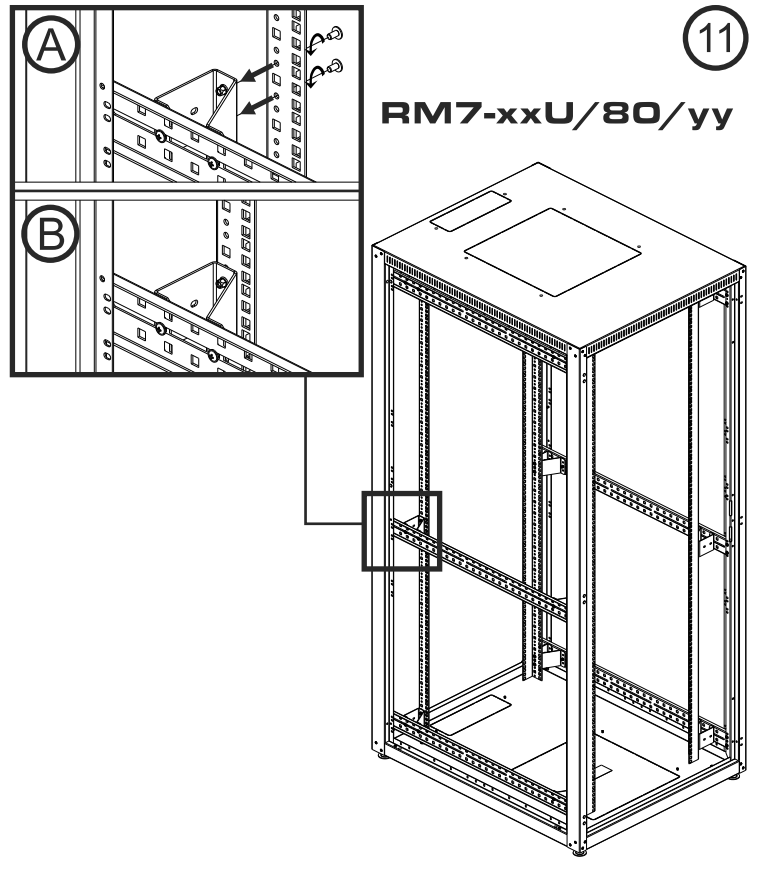
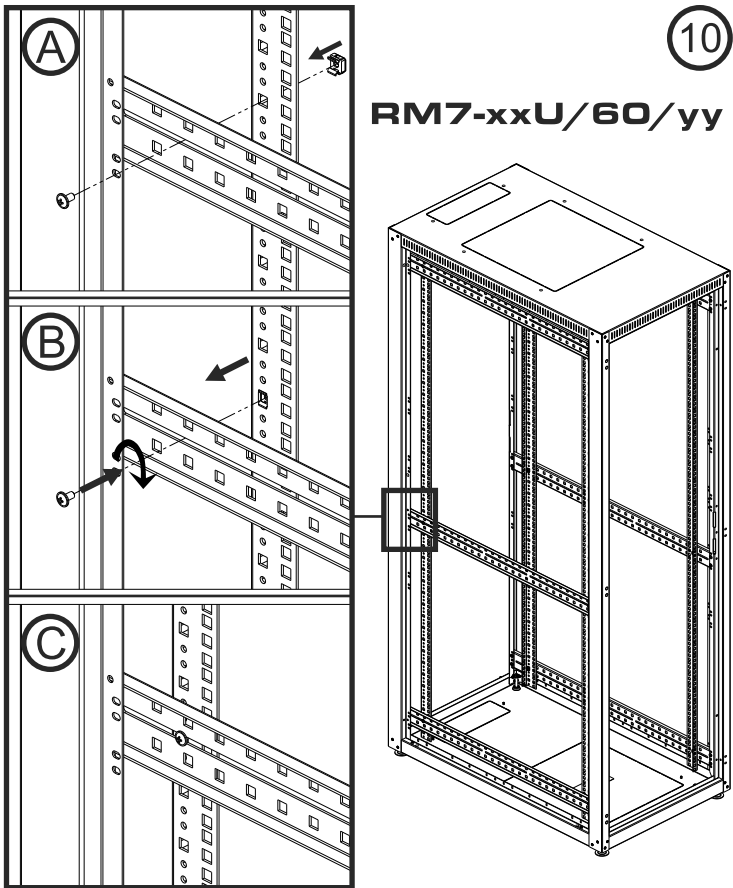




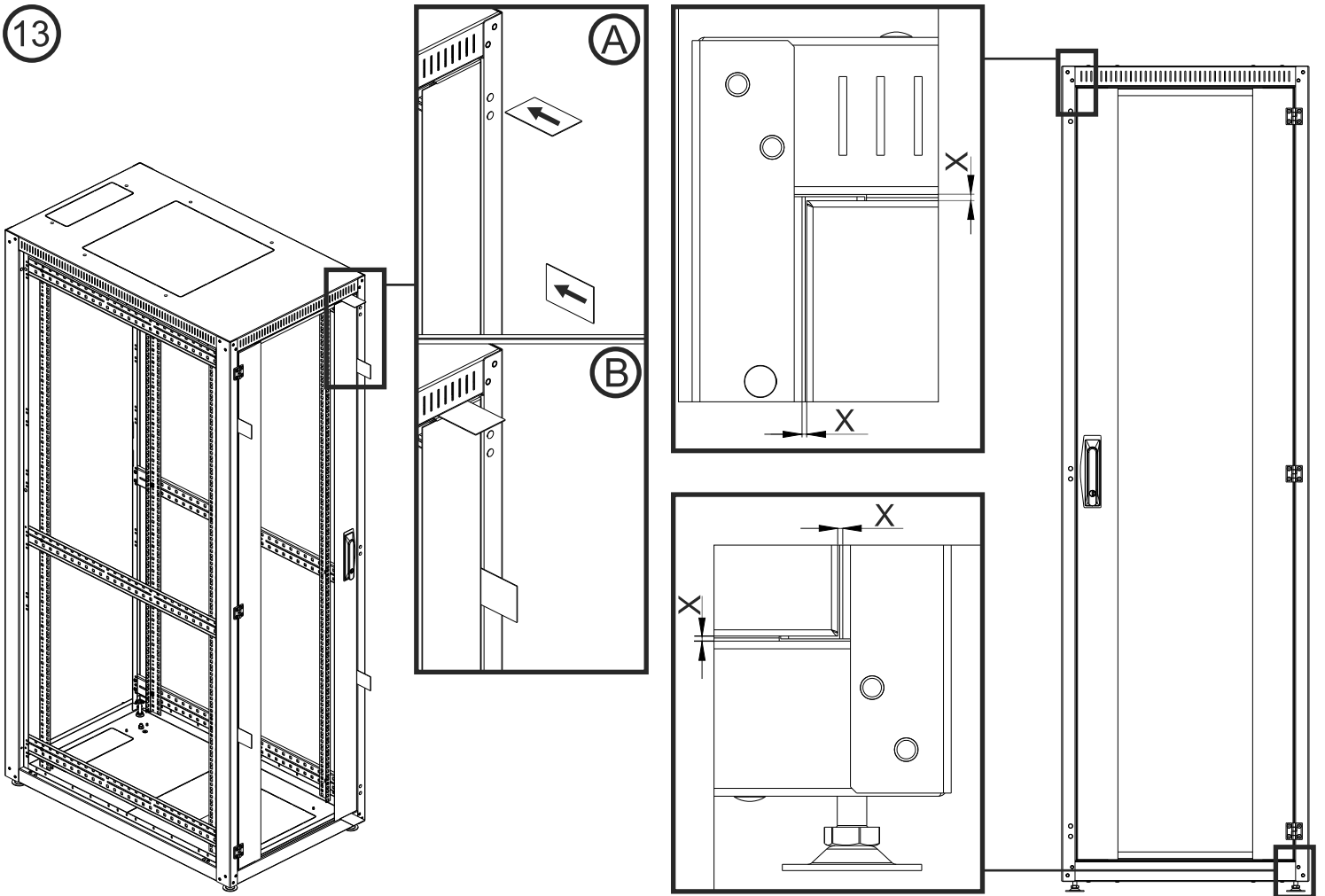
⑤



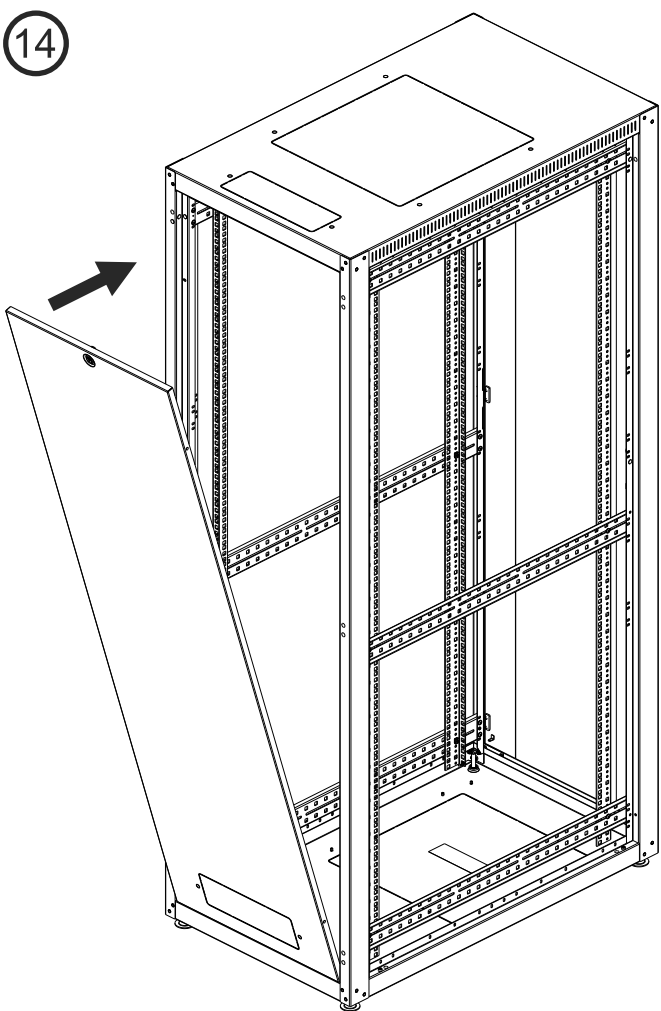




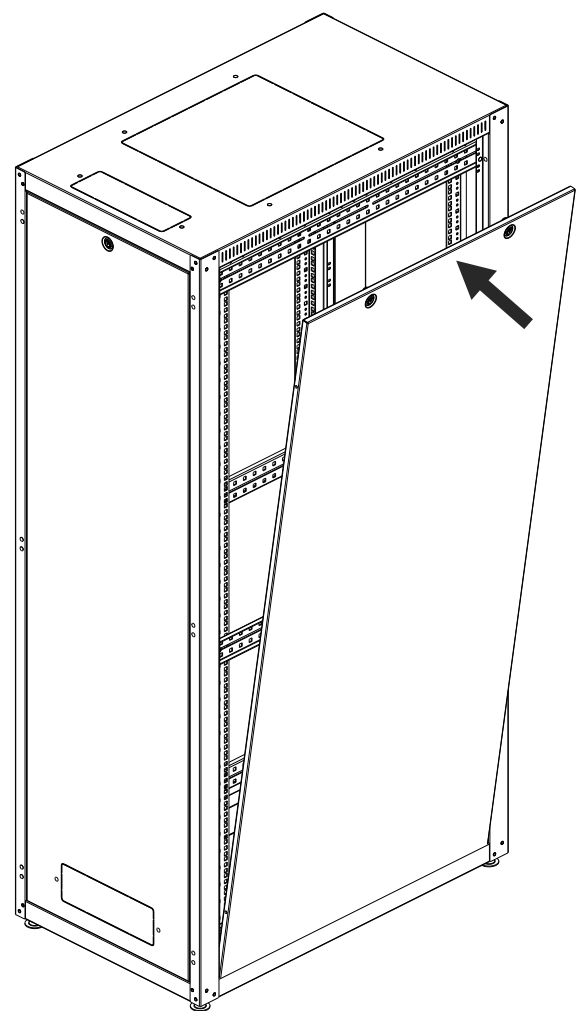
13



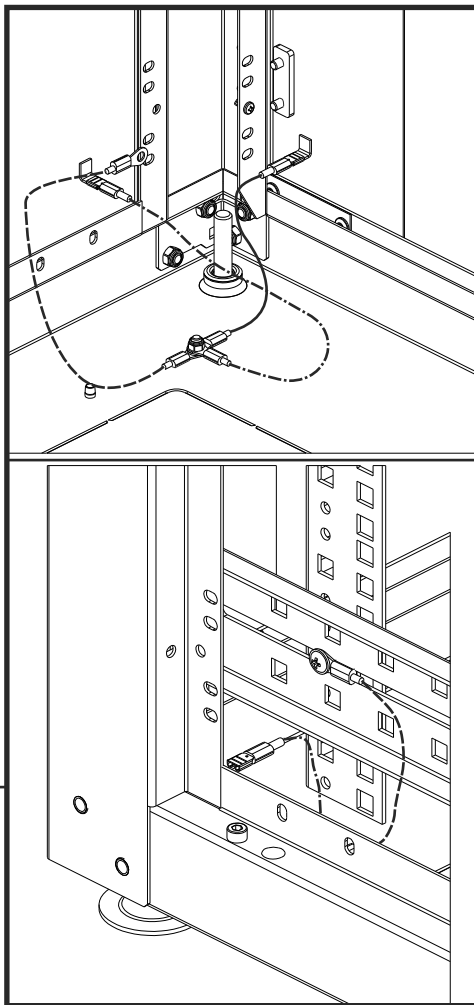
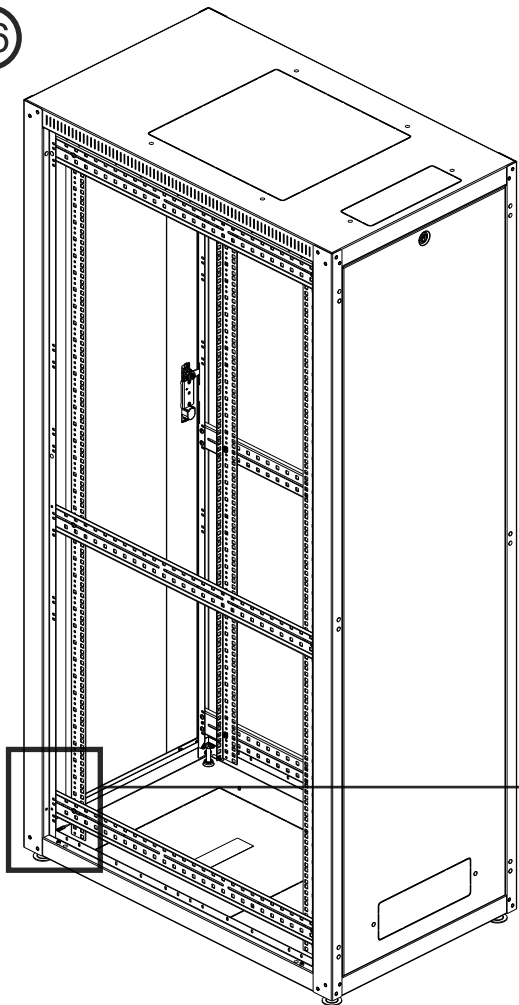
14



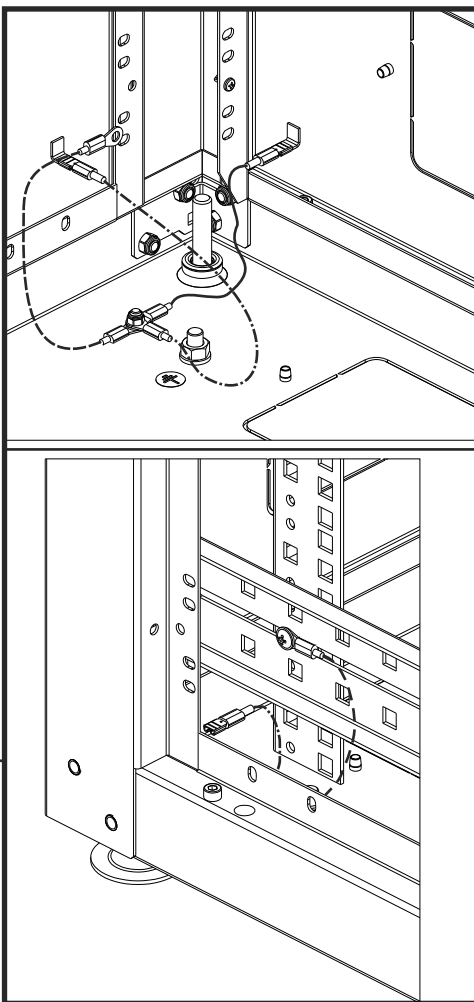
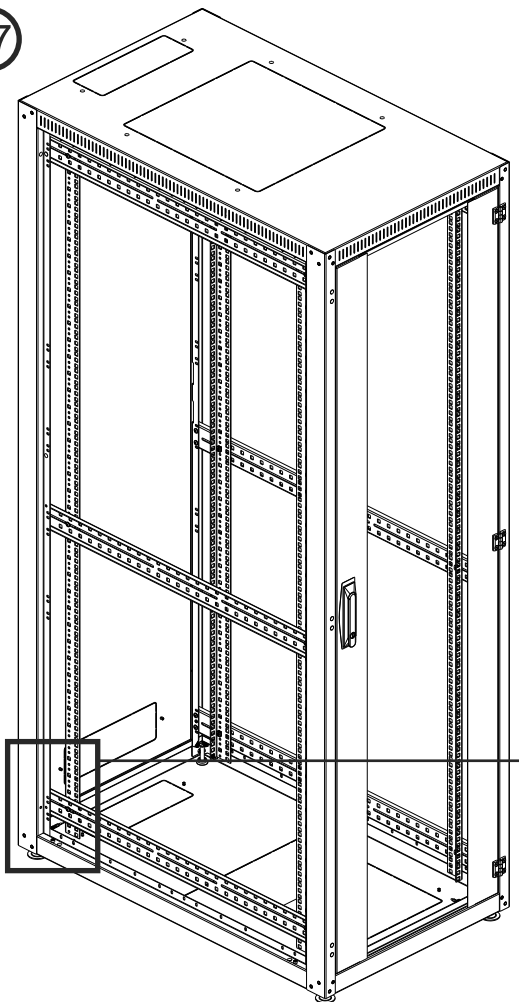
15



16



17

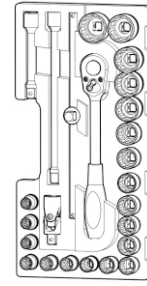
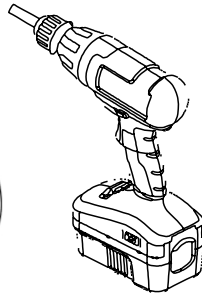
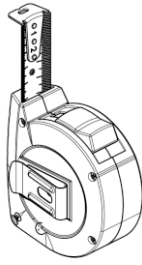




TX 15



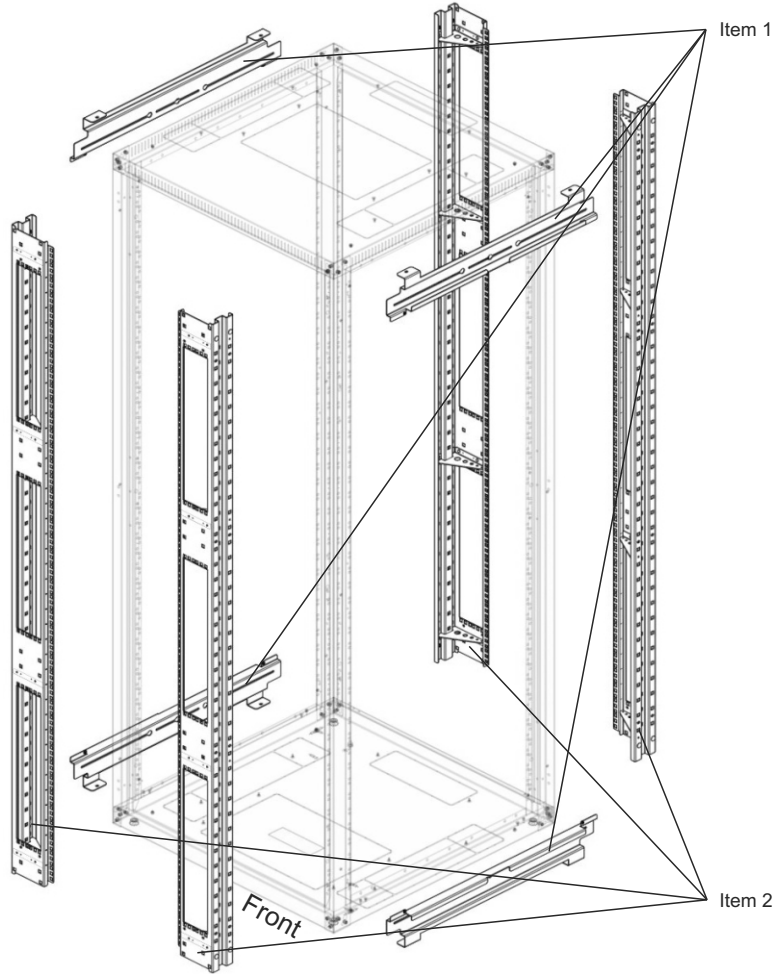
SW 3



T.8

Montážní díly
 Montageteile
 Mounting parts
 Pièces de montage
 МОНТАЖ ЧАСТИ

RM7 + 19" A TYPE



Montážní díly
 Montageteile
 Mounting parts
 Pièces de montage
 МОНТАЖ ЧАСТИ



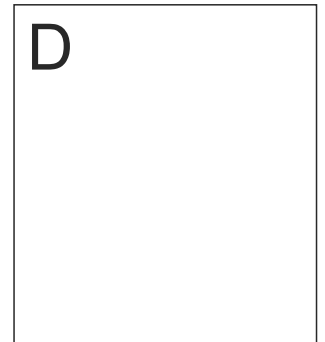
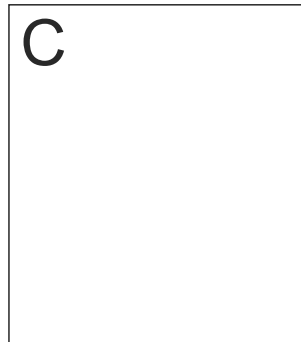
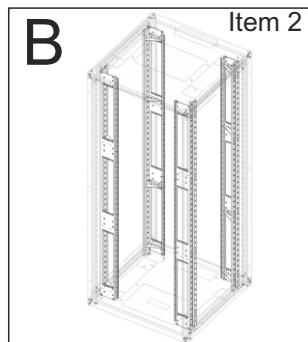
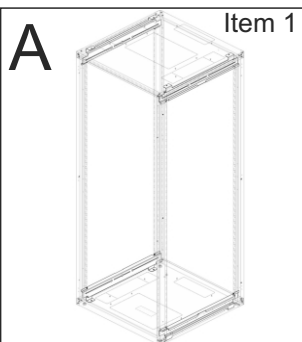
Item 3
 M5x10 ISO 7380
 25 N/m
 Tool SW3, TX15

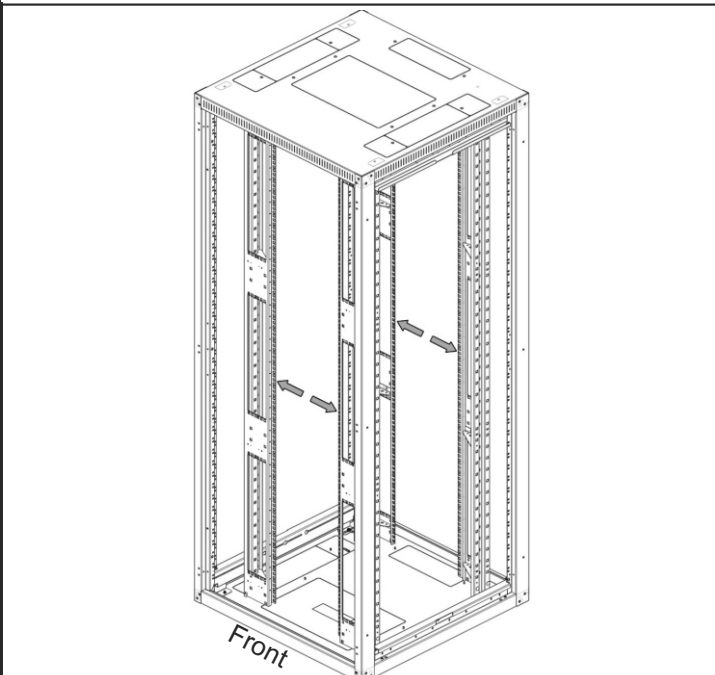
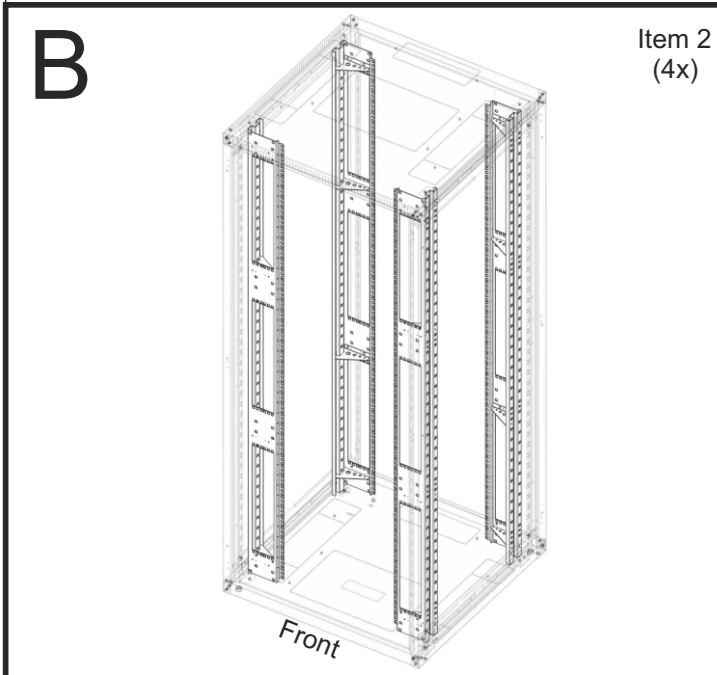
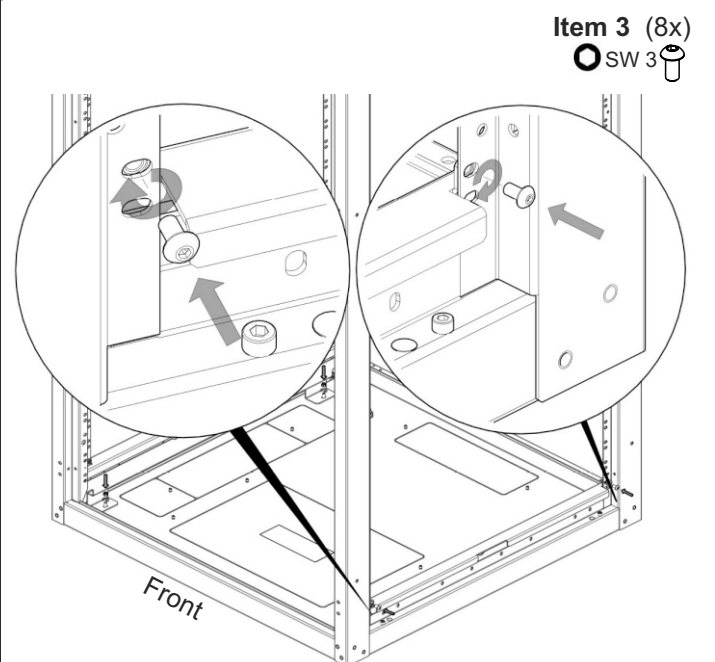
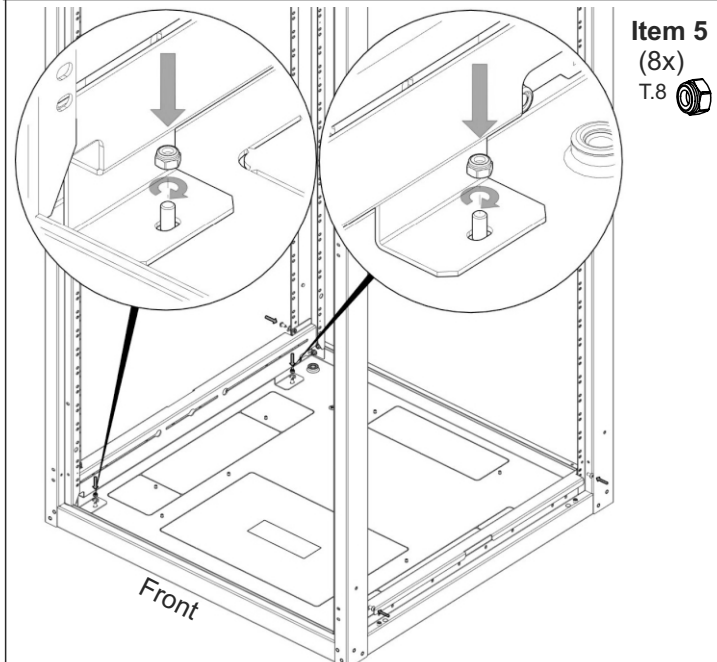
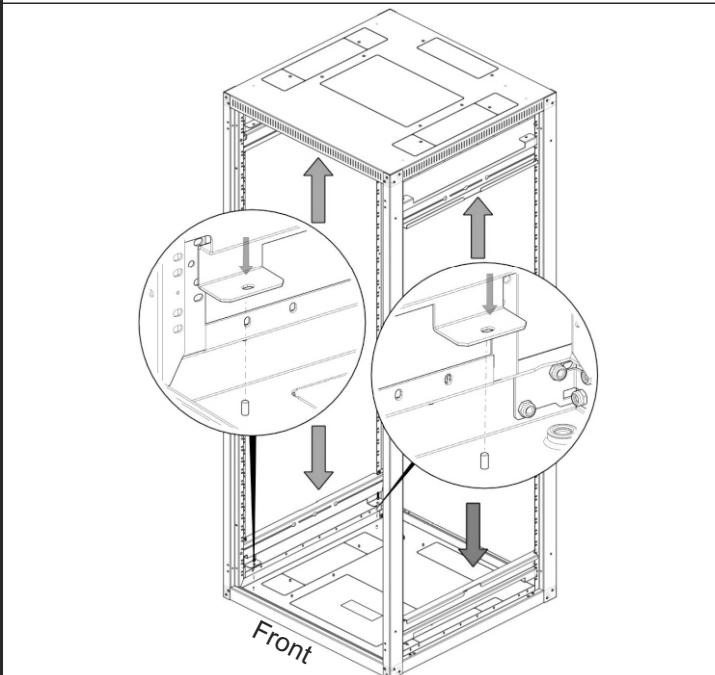
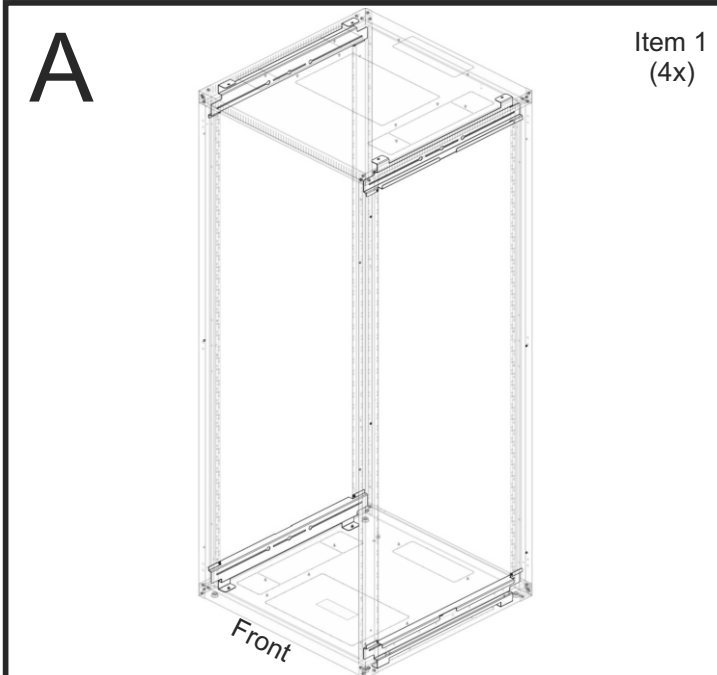


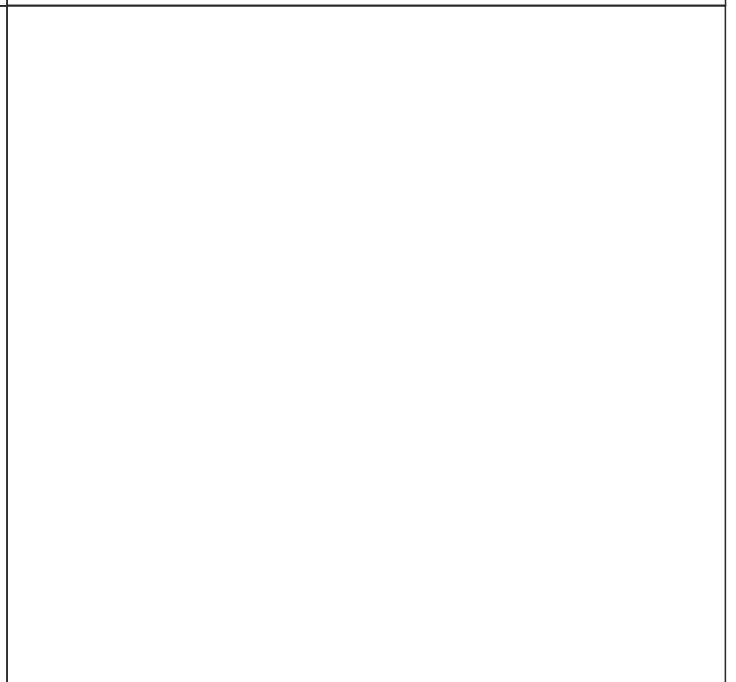
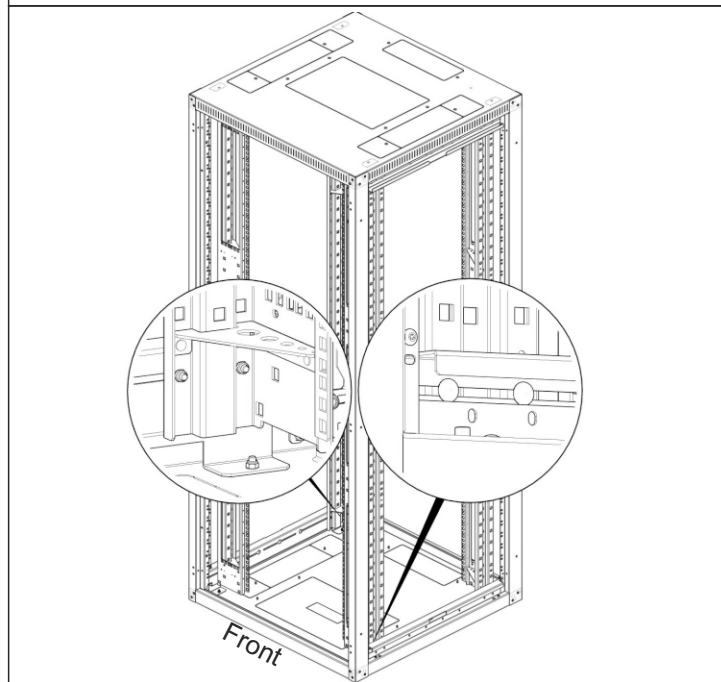
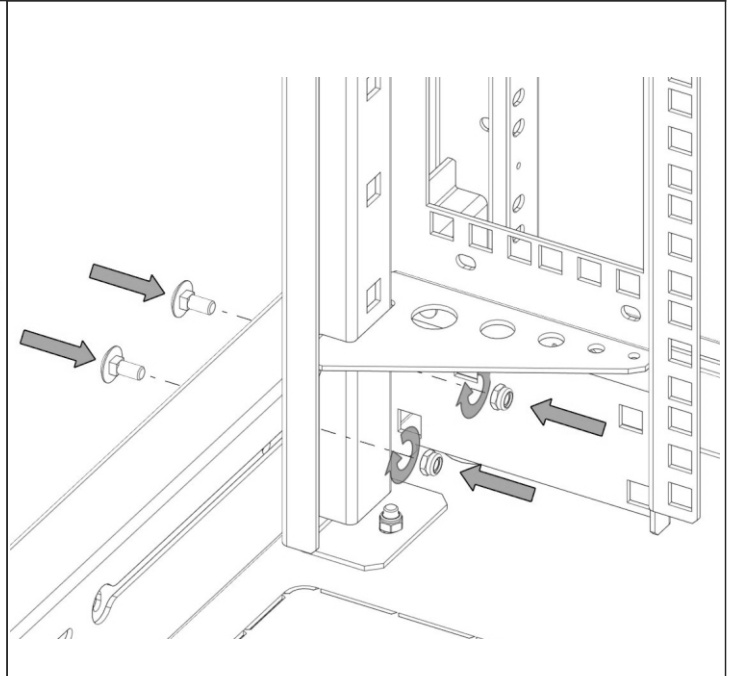
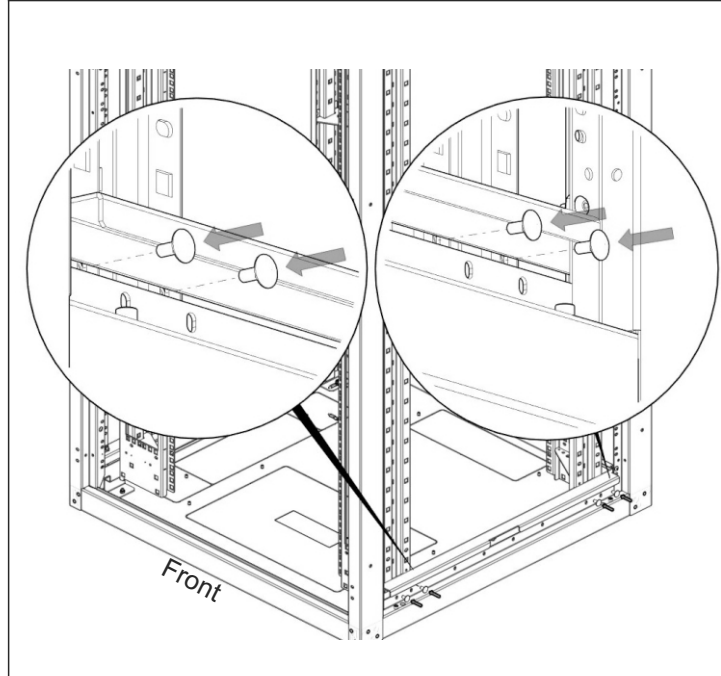
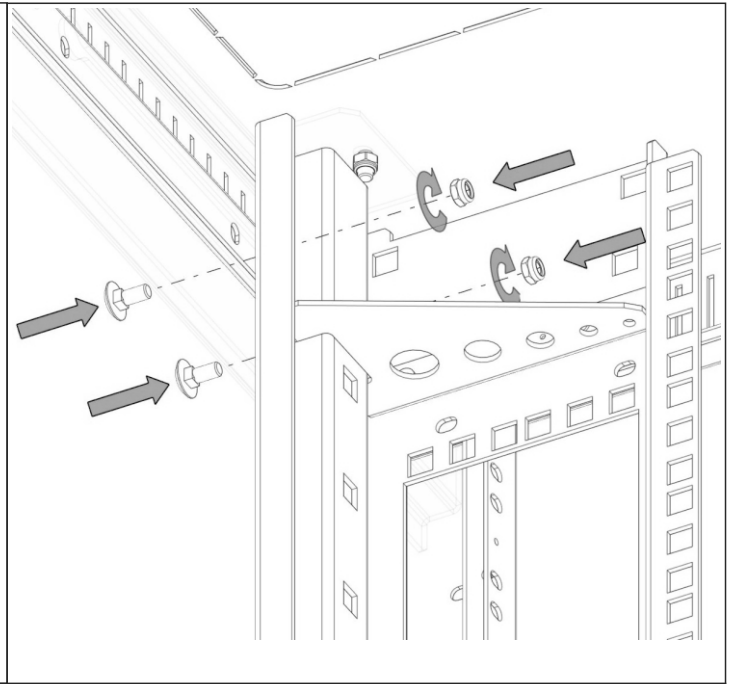
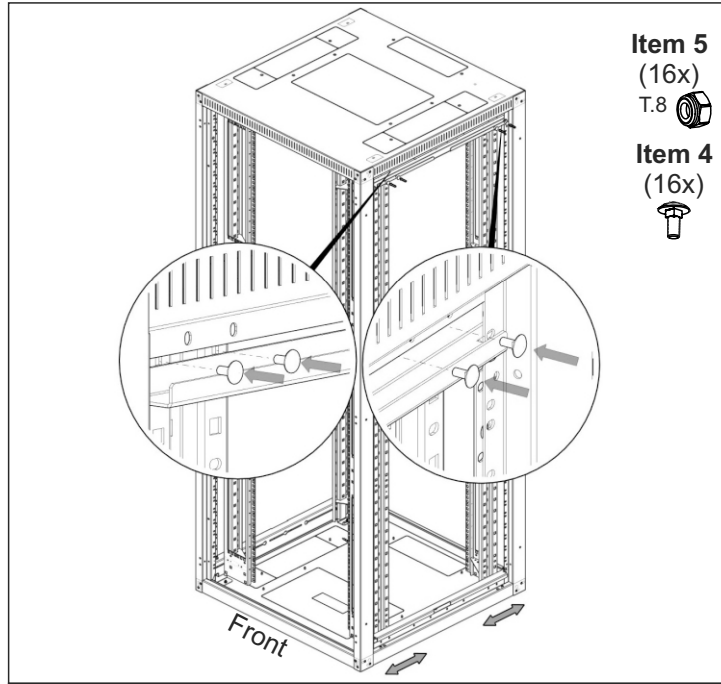
Item 4
 M5x12 DIN 603
 25 N/m



Item 5
 M5 DIN 985
 20 N/m
 Tool 8







CONTEG, spol. s r.o.

Headquarters:

Na Vitezne plani 1719/4

140 00 Prague 4

Czech Republic

Tel.: +420 261 219 182

conteg@conteg.com

www.conteg.com

Production plant:

K Silu 2179

393 01 Pelhrimov

Czech Republic

Tel.: +420 565 300 300